



CERAMIC CHARCOAL GRILL

IMPORTANT, RETAIN FOR FUTURE REFERENCE: READ CAREFULLY
MANUAL MUST BE READ BEFORE OPERATING!

BARBECUE À CHARBON EN CÉRAMIQUE

IMPORTANT : À CONSERVER POUR DE FUTURS BESOINS DE
RÉFÉRENCE : À LIRE SOIGNEUSEMENT. VOUS DEVEZ LIRE CE
GUIDE AVANT D'UTILISER LE BARBECUE !

PARRILLA CERÁMICA A CARBÓN VEGETAL

IMPORTANTE, CONSERVE PARA FUTURA
REFERENCIA: LEA CUIDADOSAMENTE.
¡DEBE LEER EL MANUAL ANTES DE
LA OPERACIÓN!



ASSEMBLY AND OPERATION ASSEMBLAGE ET FONCTIONNEMENT MONTAJE Y OPERACIÓN

WARNING: Please read the entire manual before installation and use. Failure to follow these instructions could result in property damage, bodily injury or even death. Contact local building or fire officials about restrictions and installation inspection requirements in your area.

AVERTISSEMENT : Veuillez lire l'intégralité du manuel avant l'installation et l'utilisation. Le non-respect de ces instructions peut entraîner des dommages aux biens, des blessures ou même la mort. Communiquez avec les autorités locales en matière d'incendie et de bâtiment concernant les restrictions et les exigences d'installation dans votre région.

ADVERTENCIA: Lea el manual completo antes de instalar y utilizar. Incumplir estas instrucciones podría causar daños materiales, lesiones corporales, e incluso la muerte. Consulte a sus funcionarios locales de construcción y control de incendios para informarse sobre las restricciones y los requisitos de inspección de instalaciones en su región.

FOR OUTDOOR AND HOUSEHOLD USE ONLY. NOT FOR COMMERCIAL USE. FUEL AND ACCESSORIES NOT INCLUDED.

RÉSERVÉ À L'USAGE EXTÉRIEUR ET RÉSIDENTIEL UNIQUEMENT. NON DESTINÉ À UN USAGE COMMERCIAL. CARBURANT ET ACCESSOIRES NON INCLUS.

SOLO PARA USO EN EXTERIORES Y EN EL HOGAR. NO ES PARA USO COMERCIAL. COMBUSTIBLE Y ACCESORIOS NO INCLUIDOS.

SAFETY INFORMATION

MAJOR CAUSES OF APPLIANCE FIRES ARE A RESULT OF POOR MAINTENANCE AND A FAILURE TO MAINTAIN REQUIRED CLEARANCE TO COMBUSTIBLE MATERIALS. IT IS OF UTMOST IMPORTANCE THAT THIS PRODUCT BE USED ONLY IN ACCORDANCE TO THE FOLLOWING INSTRUCTIONS.

Please read and understand this entire manual before attempting to assemble, operate or install the product. This will ensure you receive the most enjoyable and trouble-free operation of your new grill. Retain this manual for future reference.

DANGERS AND WARNINGS

You must contact your local home association, building or fire officials, or authority having jurisdiction, to obtain the necessary permits, mission or information on any installation restrictions, such as any grill being installed on a combustible surface, inspection requirements or even ability to use, in your area.

1. A minimum clearance of 2m (78 inches) from combustible constructions to the sides of the grill must be maintained. **Do not install appliance on non-combustible floors, or floors protected with non-combustible surfaces unless proper permits and permissions are obtained by authorities having jurisdiction.** This appliance must not be placed under overhead combustible ceiling, overhang, awnings, parasol or gazebo. Do not use on decking or any other combustible surfaces such as dry grass, wood chips, leaf mulch, or decorative bark. Do not use this product in a tent, caravan, car, cellar, loft or boat. Keep your grill in an area clear and free from combustible materials, gasoline and other flammable vapors and liquids.

Should a grease fire occur, close the lid until the fire is out. Do not throw water on the unit. Do not try to smother the fire. Use of an all-class (class ABC) approved fire extinguisher is valuable to keep on site. If an uncontrolled fire does occur, call the Fire Department.

2. Do not use this ceramic unit as a furnace. This product is intended for outdoor use only. Do not use indoors.

FIRE HAZARD: May emit hot embers while in use. Do not transport your grill while in use or while the grill is hot. Ensure the fire is completely out and that the grill is completely cool to the touch before moving.

3. This product will become very hot, and serious injury may occur. Never leave a burning fire unattended. Keep young children and pets away while in use. It is recommended to use heat-resistant barbecue mitts or gloves when operating the grill. Do not use accessories not specified for use with this appliance.

This appliance is not recommended for children, persons with reduced physical, sensory or mental capabilities, or lack of experience and knowledge, unless they are under direct supervision or instruction by a person responsible for their safety.

4. After a period of storage, or non-use, inspect the unit prior to use for fatigue and damage, and replace as and when necessary. Clean before use. If the grill is stored outside during the rainy season or seasons of high humidity, unit should be dried out before performing any service or maintenance. Use a grill cover, if available.
5. It is highly recommended that you use lump charcoal in your ceramic barbecue. It burns for longer and produces less ash, which can restrict the airflow. Do not use coal in this product. Charcoal not included.

Do not use spirit, petrol, gasoline, lighter-fluid or kerosene for lighting or refreshing a fire in your grill. Keep all such liquids well away from the appliance when in use.

DISPOSAL OF ASHES

Ashes should be placed in a metal container with a tight-fitting lid. The closed container of ashes should be placed on a non-combustible floor or on the ground, well away from all combustible materials, pending final disposal. When ashes are disposed by burial in soil, or otherwise locally dispersed, they should be retained in a closed container until all cinders have thoroughly cooled.

CARBON MONOXIDE (“THE SILENT KILLER”)

Carbon monoxide is a colorless, odorless, tasteless gas produced by burning gas, wood, propane, charcoal or other fuel. Carbon monoxide reduces the blood’s ability to carry oxygen. Low blood oxygen levels can result in headaches, dizziness, weakness, nausea, vomiting, sleepiness, confusion, loss of consciousness or death. Follow these guidelines to prevent this colorless, odorless gas from poisoning you, your family, or others:

- See a doctor if you or others develop cold or flu-like symptoms while cooking or in the vicinity of the appliance. Carbon monoxide poisoning, which can easily be mistaken for a cold or flu, is often detected too late.
- Alcohol consumption and drug use increase the effects of carbon monoxide poisoning.

Carbon monoxide is especially toxic to mother and child during pregnancy, infants, the elderly, smokers, and people with blood or circulatory system problems, such as anemia, or heart disease.



COPYRIGHT NOTICE

Copyright 2021. All rights reserved. No part of this manual may be copied, transmitted, transcribed, stored in a retrieval system, in any form or by any means without expressed written permission of,

Dansons

8877 North Gainey Center Drive, Scottsdale, AZ, USA 85258
sales@louisiana-grills.com | service@louisiana-grills.com
www.louisiana-grills.com

USA: (480) 923-9632 | Canada (Toll Free): 1-877-942-2246

TABLE OF CONTENTS

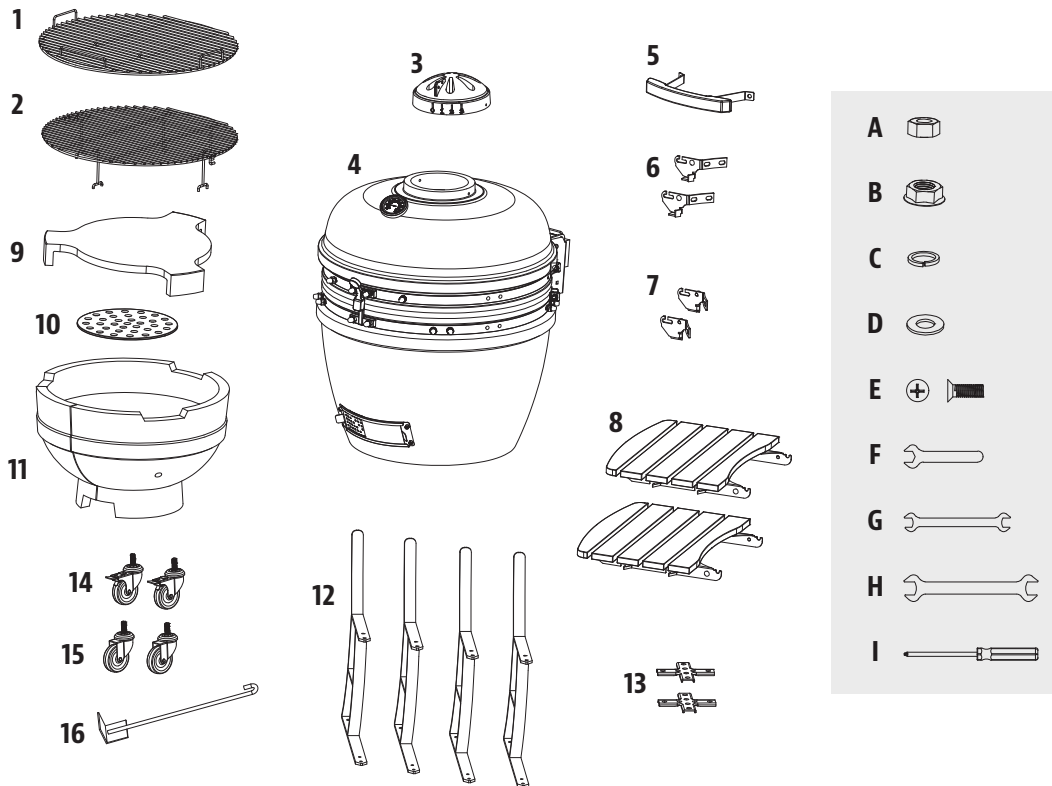
Safety Information	2	Care & Maintenance	11
Parts & Specs.....	5	Cooking Guidelines.....	12
Assembly Preparation.....	6	Tips & Techniques	14
Assembly Instructions		Troubleshooting	15
Attaching The Caster Wheels	6	Warranty	
Assembling The Cart.....	6	Conditions.....	16
Lifting The Ceramic Body Onto The Cart	7	Void of Warranty	16
Attaching The Top Damper	7	Exceptions.....	16
Installing The Side Shelf Brackets	7	Ordering Replacement Parts	17
Mounting The Side Shelves	7	Contact Customer Care	17
Attaching The Lid Handle.....	8	Warranty Service	17
Placing The Cooking Components.....	8	Recipes	18
Operating Instructions			
Introduction To Ceramic Grilling.....	9		
Understanding Airflow and Damper Control.....	9		
First Use - Grill Burn-Off.....	9		
Lighting Procedure.....	10		
Refuelling Procedure	10		
Extinguishing The Grill.....	10		

PARTS & SPECS

Part#	Description
1	Main Cooking Grid (x1)
2	Upper Cooking Grid (x1)
3	Top Damper Vent (x1)
4	Ceramic Body (x1)
5	Lid Handle (x1)
6	Left Side Shelf Bracket (x2)
7	Right Side Shelf Bracket (x2)
8	Side Shelf (x2)
9	Heat Deflector (x1)
10	Charcoal Plate (x1)
11	Firebox (x1)
12	Support Bracket (x4)
13	Support Bracket Crosspiece (x2)

Part#	Description
14	Locking Caster Wheel (x2)
15	Caster Wheel (x2)
16	Ash Tool (x1)
A	Nut - Small (x16)
B	Nut - Large (x4)
C	Locking Washer (x16)
D	Washer (x16)
E	Screw (x16)
F	Flat Wrench (x1)
G	Wrench 9/11 (x1)
H	Wrench 16/19 (x1)
I	Screwdriver (x1)

NOTE: Due to ongoing product development, parts are subject to change without notice. Contact Customer Care if parts are missing when assembling the unit.



MODEL	UNIT ASSEMBLED (WxDxH)	UNIT WEIGHT	COOKING AREA
LG LGK22	1,320 x 845 x 1,150 mm / 51.9" x 33.2" x 45.2"	103 kg / 227.0 lb	Main - 2,703 cm ² / 419.02 sq. in. Upper Rack - 2,478 cm ² / 384.22 sq. in. TOTAL - 5,182 cm ² / 803.24 sq. in.

ASSEMBLY PREPARATION

Parts are located throughout the shipping carton, including underneath the grill. Inspect the grill, parts, and hardware blister pack after removing from the protective shipping carton. Before assembly of product, review all parts and reference the parts list. If any part is missing or damaged, do not attempt to assemble. Shipping damage is not covered under warranty. Contact your dealer or Customer Care for parts.

service@louisiana-grills.com | USA: (480) 923-9632 | Canada (Toll Free): 1-877-942-2246

IMPORTANT: To ease installation and avoid injury, use two people when assembling this appliance.

Tools required for assembly: flat wrench, wrench 9/11, wrench 16/19, screwdriver. *Tools included.*

ASSEMBLY INSTRUCTIONS

IMPORTANT: It is advised to read each step entirely before starting assembly on instructions. Do not tighten screws completely until all screws for that step have been installed. Hardware combination involving a locking washer and washer should be installed with the locking washer closest to the head of the screw.

1. ATTACHING THE CASTER WHEELS

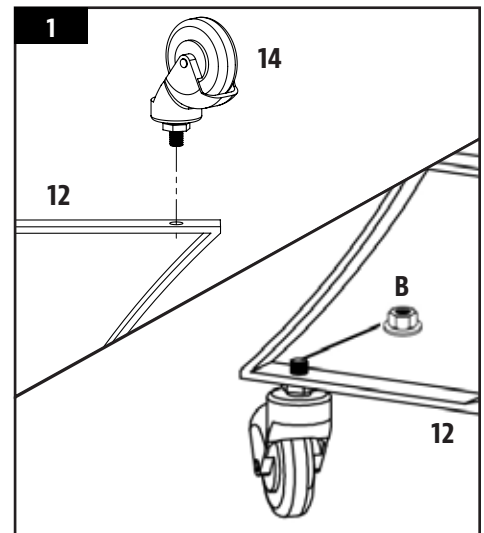
Parts Required:

- 4 x Support Bracket (#12)
- 2 x Locking Caster Wheel (#14)
- 2 x Caster Wheel (#15)
- 4 x Large Nut (#B)

Installation:

- Attach the four pre-threaded caster wheels to each of the four support brackets by hand-tightening them into the hole. Secure each caster wheels with large nut.

NOTE: To keep support brackets level, ensure the bolt on the wheel does not extend the large nut.



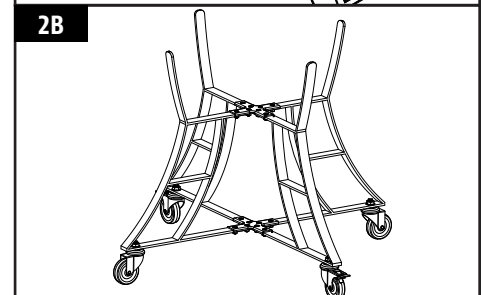
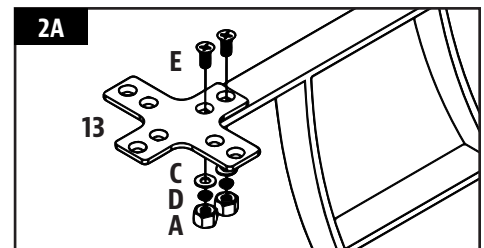
2. ASSEMBLING THE CART

Parts Required:

- 2 x Support Bracket Crosspiece (#13)
- 16 x Screw (#E)
- 16 x Washer (#D)
- 16 x Locking Washer (#C)
- 16 x Nut (#A)

Installation:

- To assemble the cart, attach the support bracket crosspiece to one of the four support brackets. Secure the support brackets to the crosspieces by using a screw, locking washer, washer, and nuts. Note the position shown in 2A.
- Continue to attach the crosspieces into the other three support brackets. The cart is now complete. Note 2B.



3. LIFTING THE CERAMIC BODY ONTO THE CART

Parts Required:

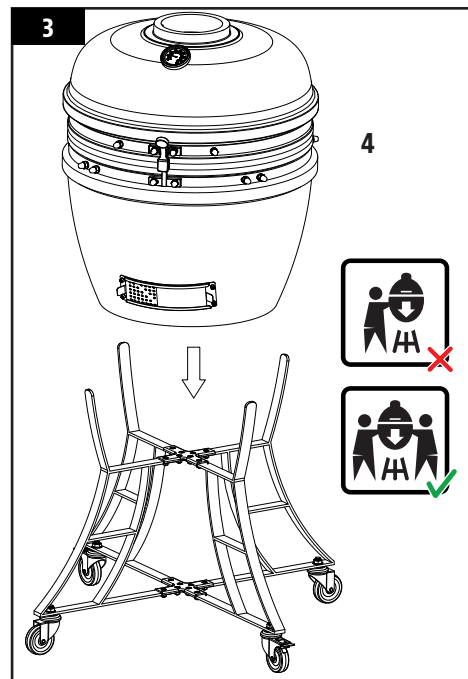
- 1 x Ceramic Body (#4)

Installation:

- First, remove all of the parts that are inside of the ceramic body to make lifting easier. Make sure the cart is secure, and all of the bolts are tight before placing the ceramic body into it. Press down on the caster levers to lock the castor wheels to ensure the ceramic charcoal barbecue cannot move.

CAUTION: Use a minimum of two people when lifting the ceramic body onto the cart. Failure to comply may result in serious injury or damage to the product.

- To place the ceramic body on the cart, place one of your hands in the bottom vent of the ceramic body and the other under the grill. Place the ceramic charcoal barbecue on the cart with the bottom vent facing to the front of the cart, allowing the vent to open and close without any interruption.



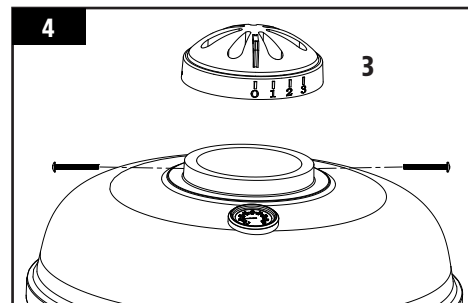
4. ATTACHING THE TOP DAMPER

Parts Required:

- 1 x Top Damper Vent (#3)

Installation:

- Align the side notch of the top damper vent with the thermometer on the front of the ceramic body, and set over the top opening. Secure with pre-attached screws, washers, and nuts.



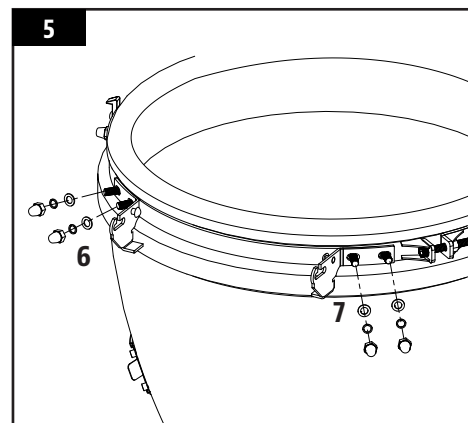
5. INSTALLING THE SIDE SHELF BRACKETS

Parts Required:

- 2 x Left Side Shelf Bracket (#6)
- 2 x Right Side Shelf Bracket (#7)

Installation:

- Attach the left side shelf brackets to the ceramic body using the pre-attached screws with their corresponding washers, locking washers, and nuts on the trim.
- Repeat the same installation for the right side shelf brackets. Tighten all screws securely once all brackets are installed.



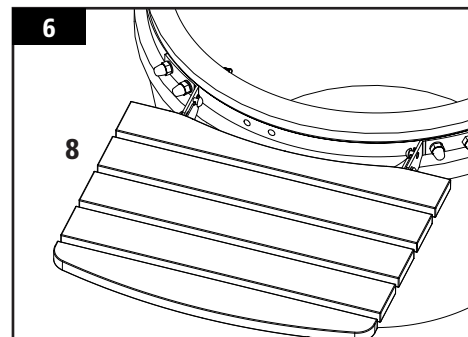
6. MOUNTING THE SIDE SHELVES

Parts Required:

- 2 x Side Shelf (#8)

Installation:

- Insert the hinges of each side shelf into each of the side shelf brackets on both sides of the ceramic body.



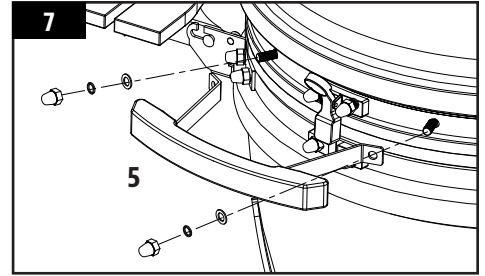
7. ATTACHING THE LID HANDLE

Parts Required:

- 1 x Lid Handle (#5)

Installation:

- Attach the lid handle to the ceramic body use the pre-attached screws washers, locking washers, and nuts on the trim.



8. PLACING THE COOKING COMPONENTS

Parts Required:

- 1 x Upper Cooking Grid (#2)
- 1 x Main Cooking Grid (#1)
- 1 x Heat Deflector (#9)
- 1 x Charcoal Plate (#10)
- 1 x Firebox (#11)

Installation:

- Open the lid of the ceramic body and insert the firebox into the base of the ceramic body. The front of the firebox with the arch of the bottom rim should face the front of the unit, aligning with the bottom damper for ash clean out. Note 8A.

NOTE: The expansion joint in the firebox is created to account for expansion of the ceramic in extreme heat. This crack is not a fault in the ceramic, but intentional in the structure design.

- Place the charcoal plate to rest on the interior base of the firebox.

IMPORTANT: The charcoal plate must be in the firebox while in use. Missing this part could result in lighting failure due to lack of oxygen to the charcoal once lit.

- Place the heat deflector to rest inside the firebox.

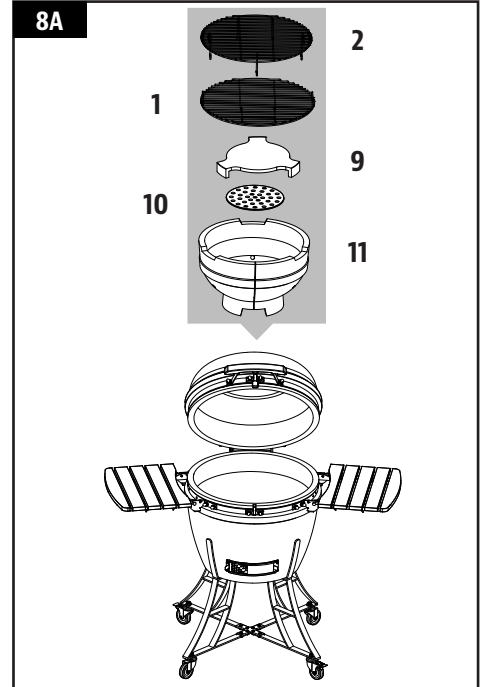
NOTE: The heat deflector can be used for indirect cooking.

- Place the main cooking grid inside of the ceramic body. Place the upper cooking grid on top of the main cooking grid.

NOTE: To maintain the grilling performance of your cooking grids, regular care and maintenance is required.

- The ceramic charcoal barbecue is now ready to use. Note 8B.

IMPORTANT: Ensure that unit curing instructions are read thoroughly prior to use.



OPERATING INSTRUCTIONS

INTRODUCTION TO CERAMIC GRILLING

Ceramic charcoal barbecues are extremely versatile. Not only can they be used for grilling or smoking, but also pizzas, bread, pies and cookies can be baked effortlessly inside them. Due to their excellent heat-retention properties, high temperatures can be achieved and maintained by precise control of airflow via the top and bottom vents. High temperatures are ideal for quickly cooking burgers and sausages, while low heats can cook larger cuts over a longer period of time. Try adding some wood chips to the charcoal, or try combining different flavor wood chips to make your meats even more flavorful.

The key is to experiment with the length of time you allow for smoking, before the meal is finished cooking. Some outdoor chefs prefer to smoke at the end of a cook, allowing the food to keep warm until ready to serve. Practice makes perfect!

UNDERSTANDING AIRFLOW AND DAMPER CONTROL

The heart of your grill lies in the relationship between the top and bottom ventilation dampers. Opening the dampers, allowing more air to flow through the system, allows the charcoal to burn very hot and create firey embers. To cook at lower temperatures, keep the dampers open only a small distance, allowing for minimal airflow and maximum heat retention in the ceramic chamber.

To ensure the grill performs correctly, proper maintenance and clean out of the firebox are essential. If the grill is not achieving the desired temperature, check to ensure that there is proper airflow to the fuel and that none of the dampers are blocked.

TIP: The grill can run efficiently over extended periods of time as long as there is dry and sufficient fuel, proper airflow, and the cooking components are clean.

FIRST USE – GRILL BURN-OFF

Curing your ceramic charcoal barbecue is important for its long-term operation and care. Avoiding the curing procedure could lead to damage on the unit. If the first burns are too hot, they could damage the felt gasket seal before it has had the chance to mature with use. To start your first fire:

1. Place one lighter cube, or solid firelighters and one handful of lump charcoal on top of the charcoal plate. Open the bottom vent and light the lighter cube using a long-nosed lighter or safety matches.

Do not use gasoline, white spirit, lighter fluid, alcohol or other similar chemicals for lighting or relighting.

2. Once the lump charcoal has caught, cure the unit by closing the lid, and leaving both vents mostly closed. Burn until all the fuel is used and the fire is extinguished. This should take approximately two hours. Do not overload the unit with fuel.
3. After grill has cooled, inspect all fasteners. The metal band connecting your lid to the base will expand from the heat and could become loose. It is recommended you check and tighten the band, if necessary, with a wrench.
4. The ceramic charcoal barbecue can now be used as normal.

LIGHTING PROCEDURE

When using the ceramic charcoal barbecue, push down on both of the locking wheels to stop the unit from moving around during use. Ensure the ceramic barbecue is positioned on a permanent, flat, level, heat-resistant non-flammable surface, away from flammable items. Position the ceramic charcoal barbecue with a minimum of 2 m / 78 in overhead clearance and at least 2 m / 78 in clearance from other surrounding items.

1. To start a fire, place rolled-up newspaper and some lighter cubes or solid lighters on the charcoal plate, in the base of the ceramic charcoal barbecue. Then, place two or three handfuls of lump charcoal over the top of the newspaper.

Do not use gasoline, white spirit, lighter fluid, alcohol or other similar chemicals for lighting or relighting.

2. Open the bottom vent and light the newspaper using a long-nosed lighter or safety matches. Once it has caught, leave the bottom vent and lid open for about 10 minutes to build a small bed of hot embers.
3. Allow the charcoal to heat up and keep it red hot for at least 30 minutes prior to the first cooking on the ceramic charcoal barbecue. Do not cook before the fuel has a coating of ash.

It is recommended that you do not stoke or turn the coals once they are alight. This allows the charcoals to burn more uniformly and efficiently.

4. Once alight, only use heat-resistant gloves when handling hot ceramics or cooking surfaces.

REFUELING PROCEDURE

With the top and bottom vent closed, the ceramic charcoal barbecue will stay at a high temperature for several hours. If you require a longer cooking time (e.g. when roasting a whole cut or slow-smoking), it may be necessary to add more charcoal.

1. Open the lid, and remove the cooking grids and heat deflector using heat-resistant gloves or a spatula.
2. Add additional charcoal to the fire box
3. Replace heat deflector and cooking grids and continue to cook as normal.

IMPORTANT: Do not use spirit, petrol, gasoline, lighter-fluid or kerosene for lighting or refreshing a fire in your grill. Also, do not attempt to add more fire starter into a fire that is already burning or into a hot burn grate. This may cause injury.

EXTINGUISHING THE GRILL

1. When finished cooking and extinguish unit, stop adding fuel. Close all the vents and the lid to allow the fire to die naturally by lack of oxygen.

IMPORTANT: Do not use water to extinguish the charcoal as this could damage the ceramic charcoal barbecue.

CARE & MAINTENANCE

Any Louisiana Grills® unit will give you many years of flavorful service with minimum cleaning. An important step is allowing the grill and cooking grids to self-clean by running the grill at a high temperature after each use. Follow these cleaning and maintenance tips to service your grill:

1. *INSIDE SURFACES*

- It is recommended to clean the interior of the unit after every few uses. This will ensure proper lighting and avoid any hard build-up of debris or ash on the cooking components. Heat it up to 260°C / 500°F for 30 minutes and it will scorch off all food and debris.

NOTE: Do not use water or any other types of cleaning product to clean the inside of your ceramic charcoal barbecue. The walls are porous and will absorb any fluids used, which could cause the ceramic charcoal barbecue to crack.

- Use a long-handled grill cleaning brush, remove any food or build-up from the cooking grids. Best practice is to do this while they are still warm from a previous cook. Grease fires are caused by too much fallen debris on the cooking components of the grill. Clean the inside of your grill on a consistent basis. In the event you experience a grease fire, keep the grill lid closed to choke out the fire. If the fire does not go out quickly, carefully remove the food, turn the grill off, and shut the lid until the fire is completely out. Lightly sprinkle baking soda, if available.
- The chrome-plated charcoal plate is not dishwasher safe; use a mild detergent with warm water.
- After the unit has completely cooled, use the ash tool to scrape out carbon remnants through the bottom damper vent. Carefully open the slide plate and rake the ash into a small waste container under the vent opening. Dispose of container, or store for future use.

2. *OUTSIDE SURFACES*

- Upon close inspection, the finish of your ceramic charcoal barbecue may appear to have crack lines. This is not cracking of the ceramic. This is known as crazing and is caused by the different expansion rates between the glaze finish and the clay. The spider-web pattern of cracking is different from a break in the aspect that it cannot be felt on the surface, unless using a fingernail; however, it does become more visually apparent when the surface is dusty or magnified.
- Wipe your grill down after each use. Use warm soapy water to cut the grease. Do not use oven cleaner, abrasive cleansers or abrasive cleaning pads on the outside surfaces.
- Check and tighten the metal rings of the ceramic body and lid, and oil the hinges, twice a year or more if needed. You should not be able to easily turn a hex key while holding the nut in place.
- Use a grill cover to protect your grill for complete protection! A cover is your best protection against weather and outside pollutants. When not in use or for longterm storage, keep the unit under a cover in a garage or shed.

CLEANING FREQUENCY TIME TABLE (NORMAL USE)







ITEM	CLEANING FREQUENCY	CLEANING METHOD
Bottom of Firebox	Every 5-6 grill sessions	Scoop out, shop-vac ash and excess debris
Cooking Grids	After each grill session	Burn off excess, grill cleaning brush
Lid Hinge	Twice a year	Oil hinge components
Metal Rings	Twice a year	Tighten using hex key
Charcoal Plate	Every 5-6 grill sessions	Warm water & mild detergent
Interior Ceramic Body	Every 2-3 grill sessions	Heat to 260°C / 500°F for 30 minutes
Exterior Ceramic Body	After each grill session	Soapy water

COOKING GUIDELINES

Smoking and grilling styles of cooking can give you different results based on time and temperature. For best results, keep a record of what you cooked, at what temperature, how long you cooked for, and the results. Adjust to your taste for the next time. Practice makes perfect.

The culinary art of hot smoking refers to longer cooking times, but results in more natural infused flavor (and a sought-after **smoke ring**) on your meats. Higher cooking temperatures result in a shorter cooking time, locking in less smoke flavor.

TIP: For best results, allow time for meats to rest after cooking. This allows the natural juices to migrate back into the meat fiber, giving a much juicier, flavorful cut. Resting times can be as little as 3 minutes and up to 60 minutes, depending on the size of the protein. Always use heat-resistant gloves when using this unit.

STYLE OF COOKING	HOT SMOKING (Very Low)	ROAST (Low)	BAKING (Medium)	GRILL/BAKE (Medium/High)	SEAR (High)
Temperature Range	93-135°C / 199-275°F	135-162°C / 275-323°F	162-190°C / 323-374°F	190-232°C / 374-449°F	260-330°C / 500-625°F
Top Damper Vent OPEN ● CLOSED ○					
Bottom Damper Vent OPEN ● CLOSED ○					

POULTRY	Size	Rare - 54°C / 130°F	Medium - 60°C / 140°F	Well Done - 77°C / 170°F
Turkey (<i>whole</i>)	4.5-5.0 kg / 10-11 lbs. 5.3-6.4 kg / 12-14 lbs. 6.8-7.7 kg / 15-17 lbs. 8.2-10.0 kg / 18-22 lbs. 10.4-11.3 kg / 23-25 lbs.			Grill 90 - 120 minutes Grill 110 - 140 minutes Grill 130 - 160 minutes Grill 140 - 170 minutes Grill 150 - 180 minutes
Chicken (<i>whole</i>)	1.36-2.26 kg / 3-5 lbs.			Grill 1 - 1.5 hours
Drumsticks, Breasts	0.45 - 0.86 kg / 1 - 1½ lbs.			Grill 30-60 minutes
Small Game Birds	0.45 - 0.86 kg / 1 - 1½ lbs.			Grill 30-45 minutes
Duck	1.36-2.26 kg / 3-5 lbs.			Roast or grill 2 - 2.5 hours

PORK	SIZE	Precooked to Reheat 60°C / 140°F	Medium 66°C / 150°F	Well Done 71°C / 160°F
Ham (Fully Cooked & Boneless Portion, Smoked Picnic Whole & Bone-In)	2.5 cm / 1" 1.36-1.81 kg / 3-4 lbs. 1.81-2.72 kg / 4-6 lbs. 2.26-3.62 kg / 5-8 lbs. 4.53-5.44 kg / 10-12 lbs.	12 minutes 50 minutes - 1 hour 1 - 2 hours 1 - 2½ hours 2 - 2¾ hours		
Loin Roast	1.36-1.81 kg / 3 - 4 lbs.		1 - 2 hours	2 - 3 hours
Rib Crown Roast	1.81-2.26 kg / 4 - 5 lbs.		1½ - 2 hours	2 - 3 hours
Chop (loin, rib)	1.9-2.5 cm / ¾" - 1" 3.1-3.9 cm / 1¼" - 1½"		10 - 12 minutes 14 - 18 minutes	
Tenderloin	1.9-2.5 cm / ¾" - 1"		20 - 30 minutes	30 - 45 minutes
Loin Roast, boneless	1.36-2.26 kg / 3-5 lbs.		1¼ - 1¾ hours	1¾ - 2½ hours
Boston Butt (Pork Shoulder)	3.62-4.53 kg / 8-10 lbs.			93 - 98°C / 200 - 210°F Internal Temperature

BEEF	SIZE	HEAT	APPROXIMATE COOKING TIME		
			Rare - 54°C / 130°F	Medium - 60°C / 140°F	Well Done - 65°C / 150°F
Steak (<i>New York, Porter-house, Rib-eye, Sirloin, T-bone, or Tenderloin</i>)	1.9 cm / ¾" 2.5 cm / 1" 3.8 cm / 1½" 5 cm / 2"	High	Sear 8-10 minutes Sear 10-12 minutes Sear 10 minutes, grill 8-10 minutes Sear 10 minutes, grill 10-14 minutes		
Skirt Steak	0.6 - 12.7 cm / ¼" - ½"	High	Sear 5-7 minutes		
Flank Steak	0.45 - 0.86 kg / 1 - 1½ lbs., 1.9 cm / ¾"	Medium	Sear 4 minutes, grill 8-10 minutes		
Kabob	2.5 - 3.8 cm / 1 - 1½" cubes	Medium	Grill 10 - 12 minutes		
Tenderloin, whole	1.58 - 1.81 kg / 3½ - 4 lbs.	High/Medium	Sear 10 minutes, grill 15-20 minutes		
Ground Beef Patty	1.9 cm / ¾"	High/Medium	Sear 4 minutes, grill 4-6 minutes		
Rib-eye Roast, boneless	2.26 - 2.72 kg / 5 - 6 lbs.	Medium	Grill 1½ - 2 hours		
Tri-tip Roast	0.9 - 1.13 kg / 2 - 2½ lbs.	High/Medium	Sear 10 minutes, grill 20-30 minutes		
Rib Roast	5.44 - 6.35 kg / 12 - 14 lbs.	Medium	2½ - 2¾ hours		
Veal Loin Chop	2.5cm / 1"	Medium	10 - 12 minutes direct		
Brisket	7.25 - 3.62 kg / 16 -18 lbs.	Hot Smoke	Cook until internal temperature reaches 91°C / 195°F		

LAMB	Size	Rare - 54°C / 130°F	Medium - 60°C / 140°F	Well Done - 71°C / 160°F
Roast (fresh)	2.26 - 2.72 kg / 5 - 6 lbs.		1 - 2 hours	
Rib Crown Roast	1.36-2.26 kg / 3-5 lbs.		1 - 1½ hours	1½ hours

SEAFOOD	Size	Rare - 54°C / 130°F	Medium - 60°C / 140°F	Well Done - 82°C / 180°F
Fish (whole)	0.5 kg / 1 lb. 0.9 - 1.1 kg / 2 - 2½ lbs. 1.4 kg / 3 lbs.			Grill 10 - 20 minutes Grill 20 - 30 minutes Grill 30 - 45 minutes
Fish (filets)	0.6-1.3 cm / ¼" - ½"			Grill 3 - 5 minutes, until flaky
Lobster Tail	0.15 kg / 5 oz. 0.3 kg / 10 oz.			Grill 5 - 6 minutes Grill 10 - 12 minutes

WILD GAME	Size	Rare - 60°C / 140°F	Medium - 71°C / 160°F	Well Done - 77°C / 170°F
Roast (fresh)	2.26 - 2.72 kg / 5 - 6 lbs.		1 - 1½ hours	1½ - 2 hours
Large Cuts (fresh)	3.62-4.53 kg / 8-10 lbs.		1 hours	1½ hours

TIPS & TECHNIQUES

Follow these helpful tips and techniques, passed on from Louisiana Grills® owners, our staff, and customers just like you, to become more familiar with your grill:

1. *FOOD SAFETY*

- Keep everything in the kitchen and cooking area clean. Use different platters and utensils for the cooked meat than the ones you used to prepare or transport the raw meat out to the grill. This will prevent cross contamination of bacteria. Each marinade or basting sauce should have its own utensil.
- Keep hot foods hot (above 60°C / 140°F), and keep cold foods cold (below 3°C / 37°F).
- A marinade should never be saved to use at a later time. If you are going to use it to serve with your meat, be sure to bring it to a boil before serving.
- Cooked foods should not be left out in the heat for more than an hour. Do not leave hot foods out of refrigeration for more than two hours.
- Defrost and marinade meats by refrigeration. Do not thaw meat at room temperature or on a counter top. Bacteria can grow and multiply rapidly in warm, moist foods. Wash hands thoroughly with hot, soapy water before starting any meal preparation and after handling fresh meat, fish and poultry.

2. *COOKING PREPARATION*

- Be prepared, or **Mise en Place**. This refers to preparing the cooking recipe, fuel, accessories, utensils, and all ingredients you require at grill side before you start cooking. Also, read the entire recipe, start to finish, before lighting the grill.
- A BBQ floor mat is very useful. Due to food handling accidents and cooking spatter, a BBQ floor mat would protect a deck, patio, or stone platform from the possibility of grease stains or accidental spills.

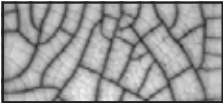
3. *GRILLING TIPS AND TECHNIQUES*

- To infuse more smoke flavor into your meats, cook longer and at lower temperatures (also known as **low and slow**). Meat will close its fibers after it reaches an internal temperature of 49°C / 120°F. Misting, or mopping, are great ways to keep meat from drying out.
- While searing your meats, cook with the lid down. Always use a meat thermometer to determine the internal temperature of the foods you are cooking. Smoking foods can turn meats and poultry pink. The band of pink (after cooking) is referred to as a **smoke ring** and is highly prized by outdoor chefs.
- Sugar-based sauces are best applied near the end of cooking to prevent burning and flare-ups.
- Leave open space between the foods for proper heat flow. Food on a crowded grill will require more cooking time.
- Use a set of long-handled tongs for turning meats, and a spatula for turning burgers and fish. Using a piercing utensil, such as a fork, will prick the meat and allow the juices to escape.
- Foods in deep casserole dishes will require more time to cook than a shallow baking pan.
- It's a good idea to put cooked food onto a heated platter, keeping the food warm. Red meats, such as steak and roasts, benefit from resting for several minutes before serving. It allows the juices that were driven to the surface by heat to ease back to the center of the meat, adding more flavor.

TROUBLESHOOTING

Proper cleaning, maintenance and the use of clean, dry, quality fuel will prevent common operational problems. When your Louisiana Grills® grill is operating poorly, or on a less frequent basis, the following troubleshooting tips may be helpful. For FAQ, please visit www.louisiana-grills.com. You may also contact your local Louisiana Grills® authorized dealer or contact Customer Care for assistance.

WARNING: Ensure the grill is completely cooled prior to any inspection, cleaning, maintenance or service work. Failure to comply may result in serious injury or damage to your unit.

PROBLEM	CAUSE	SOLUTION
Grill Will Not Light	Damper Vents Are Closed, Lack of Air	Ensure that both the top and bottom vents are open. The fire needs oxygen to catch. Once it has caught, leave the bottom vent and lid open for about 10 minutes to build a small bed of hot embers.
	Incorrect Fuel Used	This grill requires the use of lump charcoal. Follow Lighting Procedure to continue use of grill; however, call Customer Care for assistance if required.
Grill Will Not Achieve Or Maintain Stable Temperature	Grill Gets Too Hot	Close the lid, mostly close both vents, and allow the barbecue to smother with lack of oxygen. For low temperature cooking, use less fuel.
	Grill Does Not Get Hot Enough	Check fuel level. The grill may quickly lose fire if there is not enough charcoal in the ceramic body. The recommended use of lump charcoal is a maximum of 1.81kg / 4lbs per burn. Add more fuel and leave both vents completely open. More oxygen flow will allow the fire to increase, burning more lump charcoal.
	Insufficient Air Flow Through Ceramic Body	Check bottom damper vent for ash build-up or obstructions. Follow Care and Maintenance instructions for ash build-up. Check top damper vent, and ensure it is working properly and airflow is not blocked. Follow Care and Maintenance instructions if dirty. Once all the above steps have been done, light the grill and perform a burn-off.
Flare-Ups	Cooking Temperature Too High	Attempt cooking at a lower temperature. Grease does have a flash point. Keep the temperature under 176°C / 350°F when cooking highly greasy food.
	Grease Build-Up On Cooking Components	Follow Care and Maintenance instructions.
	Need to Burp The Grill	To prevent any back-draft or flare-ups that may cause injury, it is well advised to lift the lid only slightly (also known as burping), which allows air to enter slowly and safely.
Bottom Damper Won't Slide	Damper Stuck On Ash	Tap the damper lightly with a rubber hammer to loosen. Follow Care and Maintenance instructions. If no improvement, call Customer Care.
Finishing on Unit	Finish is chipped	The finish of your unit may chip on the ceramic, but this does not affect the performance or lifespan of your unit. If chipping is substantial, call Customer Care.
	Spider-web pattern of cracking 	This is not cracking of the ceramic. This is known as crazing and is caused by the different expansion rates between the glaze finish and the clay. The spider-web pattern of cracking is different from a break in the aspect that it cannot be felt on the surface, unless using a fingernail; however, it does become more visually apparent when the surface is dusty or magnified. Follow Care and Maintenance instructions. While these cracks may appear as imperfections, crazing does not affect the performance or life span of your ceramic charcoal barbecue; therefore, it is not a warranty issue.
Lid Is Stuck	Unit Not Cured Properly	Curing your ceramic charcoal barbecue is important for its long-term operation and care. If the first burns are too hot, they could damage the felt gasket seal before it has had the chance to mature with use. If the lid gets stuck, or sealed, together with the base, use a knife to carefully unseal and cut off the felt gasket that trims the lid opening. Once removed, you will be able to open the lid. Before continuing to use the unit, replace the high-heat felt gasket, which can be purchased at your local fireplace store.

WARRANTY

CONDITIONS

All ceramic grills by Louisiana Grills®, manufactured by Dansons, carry a limited warranty from the date of sale by the original owner. The warranty coverage begins on the original date of purchase and proof of date of purchase, or copy of original bill of sale, is required to validate the warranty. Customers will be subject to parts, shipping, and handling fees if unable to provide proof of purchase or after the warranty has expired.

Dansons carries a Limited Lifetime Warranty on all ceramic parts used to manufacture the ceramic charcoal barbecue. Dansons warrants that all part(s) are free of defects in material and workmanship, for the length of use and ownership of the original purchaser. Warranty does not cover damage from wear and tear, such as scratches, dents, dings, chips or minor cosmetic cracks. These aesthetic changes of the grill do not affect its performance. Upon close inspection, the finish of your ceramic charcoal barbecue may appear to have crack lines. This is not cracking of the ceramic. This is known as crazing and is caused by the different expansion rates between the glaze finish and the clay. The spider-web pattern of cracking is different from a break in the aspect that it cannot be felt on the surface, unless using a fingernail; however, it does become more visually apparent when the surface is dusty or magnified. While these may appear as imperfections, crazing does not affect the performance or life span of your ceramic charcoal barbecue; therefore, it is not a warranty issue.

Dansons carries a five-year warranty on all metal and cast-iron parts used to manufacture the ceramic charcoal barbecue. Dansons warrants that all part(s) are free of defects in material and workmanship, for the length of use and ownership of the original purchaser. High temperatures, excessive humidity, chlorine, industrial fumes, chemicals, fertilizers, lawn pesticides and salt are some of the substances that can affect metal parts. For these reasons, the warranty **does not cover rust or oxidization**. Dansons recommends that you cover your grill when not in use. Even with these safeguards, the ceramic charcoal barbecue can be compromised by various substances and conditions beyond Dansons' control.

Dansons carries a one-year warranty on all plastic and composite components, thermometer, and caster wheels used to manufacture the ceramic charcoal barbecue. Warranty does not cover cosmetic or colour changes, weathering or cracks, unless there is a loss of structural integrity. Warranty does not cover damage from wear and tear, such as scratches, dents, dings, chips or minor cosmetic cracks. These aesthetic changes of the grill do not affect its performance. Repair or replacement of any part does not extend past the limited warranty. During the term of the warranty, Dansons' obligation shall be limited to furnishing a replacement for defective and/or failed components. As long as it is within the warranty period, Dansons' will not charge for repair or replacement for parts returned, freight prepaid, if the part(s) are found by Dansons' to be defective upon examination. Dansons' shall not be liable for transportation charges, labor costs, or export duties. Except as provided in these conditions of warranty, repair or replacement of parts in the manner and for the period of time mentioned heretofore shall constitute the fulfillment of all direct and derivate liabilities and obligations from Dansons to you.

This warranty is based on normal domestic use and service of the grill, and neither limited warranty coverage's apply for a grill which is used in commercial applications.

VOID OF WARRANTY

The use or abuse of this product for purposes other than that for which it is designed will void the warranty. Damage caused by lack of proper use, assembly, maintenance or installation is not covered. The pouring of lighter fluid or other liquids on your grill will void this warranty. This could result in damage or serious injury to the user of the ceramic charcoal barbecue, and result in excessive damage to the grill and its many parts and components. This warranty is only applicable if the ceramic charcoal barbecue is purchased through an authorized dealer. The purchase of any product by a third party, or unauthorized dealer, voids the warranty. Only select dealers and retailers have permission, by Dansons, to sell Ceramic series products.

EXCEPTIONS

There is no written or implied performance warranty on Louisiana Grills® units, as the manufacturer has no control over the installation, operation, cleaning, maintenance or the type of fuel burned. This warranty will not apply nor will Dansons assume responsibility if your appliance has not been installed, operated, cleaned and maintained in strict accordance with this owner's manual. Burning other than quality lump charcoal may void the warranty. The warranty does not cover damage or breakage due to misuse, improper handling or modifications.

Neither Dansons, or authorized Louisiana Grills® dealer, accepts responsibility, legal or otherwise, for the incidental or consequential damage to the property or persons resulting from the use of this product. Whether a claim is made against Dansons based on the breach of this warranty or any other type of warranty expressed or implied by law, the manufacturer shall in no event be liable for any special, indirect, consequential or other damages of any nature whatsoever in excess of the original purchase of this product. All warranties by manufacturer are set forth herein and no claim shall be made against manufacturer on any warranty or representation.

Some states do not allow the exclusion or limitation of incidental or consequential damages, or limitations of implied warranties, so the limitations or exclusions set forth in this limited warranty may not apply to you. This limited warranty gives you specific legal rights and you may have other rights, which vary from state to state.

Our goods come with guarantees that cannot be excluded under the Australian Consumer Law. You are entitled to a replacement or refund for a major failure and for compensation for any other reasonably foreseeable loss or damage. You are also entitled to have the goods repaired or replaced if the goods fail to be of acceptable quality and the failure does not amount to a major failure.

ORDERING REPLACEMENT PARTS

To order replacement parts, please contact your local authorized dealer or visit our online store at: www.louisiana-grills.com

CONTACT CUSTOMER CARE

If you have any questions or problems, contact Customer Care.

service@louisiana-grills.com | USA: (480) 923-9632 | Canada (Toll Free): 1-877-942-2246

WARRANTY SERVICE

Contact your nearest Louisiana Grills® dealer for repair or replacement parts. Dansons requires proof of purchase to establish a warranty claim; therefore, retain your original sales receipt or invoice for future reference. The serial and model number of your grill unit can be found on the back of the lid hinge. Record numbers below as the label may become worn or illegible.

MODEL

SERIAL NUMBER

DATE OF PURCHASE

AUTHORIZED DEALER

RECIPES

PERFECTLY GRILLED STEAKS

Makes 2–4 servings

Ingredients:

- 2 rib-eye steaks (3cm / 1¼ inch thick)
Louisiana Grills Chop House Steak Rub seasoning

Instructions:

1. No more than an hour before grilling, let steaks come to room temperature.
2. Generously sprinkle Louisiana Grills Chop House Steak Rub to both sides of each steak, allowing time for the rub to melt into the meat.
3. Light your ceramic charcoal barbecue to 205°C / 400°F. Place steaks directly on the grill. For a medium-done steak, sear each side for 5–7 minutes, flipping the steaks only once. Adjust time to your desired doneness.
4. Remove steaks from the grill, cover with tin foil, and let sit 10 minutes before slicing and serving.

NOTE: Use tongs to flip steaks. Do not flip the steaks with a fork or cut into the meat until ready to serve. Any cuts or punctures in the meat will cause juices to escape and dry out your steak.

GRILLED SWEET HEAT CHICKEN WINGS

Makes 2–4 servings

Ingredients:

- 16 whole chicken wings (510 g / 18 oz.)
75 ml / 5 tbsp lime juice
45 ml / 3 tbsp *Louisiana Grills Sweet Heat Rub & Grill seasoning*

Instructions:

1. Rinse the chicken wings under cold running water and blot dry with paper towels. Arrange the wings lengthwise on a baking dish. Drizzle lime juice evenly over wings.
2. Shake Louisiana Grills Sweet Heat Rub & Grill seasoning over the wings, turning the wings to coat evenly.
3. Light your ceramic charcoal barbecue to 177°C / 350°F. Place the heat deflector in the barbecue and place grate over top heat deflector.
4. Place the wings directly on the grate. Grill over indirect heat until crispy, about 20–25 minutes per side.
5. Transfer wings to a platter and serve with your favourite dipping sauce.

GRILLED FLANK STEAK FAJITAS

Makes 4–6 servings

Ingredients:

- 1 flank steak (450 g / 16 oz.)
30 ml / 2 tbsp *Louisiana Grills Sweet Heat Rub & Grill seasoning*
45 ml / 3 tbsp olive oil, divided
1 red pepper
halved, stems and seeds removed
1 yellow pepper
halved, stems and seeds removed
1 green pepper
halved, stems and seeds removed
1 sweet onion
large, sliced thick along base
8 corn tortillas

Extra Fixings:

- salsa
guacamole
sour cream
cheddar cheese, shredded
iceberg lettuce, thinly sliced

Instructions:

1. Rub flank steak with 1 tbsp olive oil and Louisiana Grills Sweet Heat Rub & Grill seasoning. Cover and marinate in the refrigerator for 1 hour.
2. Lightly brush peppers and onion with olive oil.
3. Light your ceramic charcoal barbecue to 205°C / 400°F. Place pepper and onion on grill and cook 5 minutes per side. Watch carefully to ensure the peppers and onion do not burn.
4. Remove peppers and onion from grill and toss lightly with remaining olive oil in a medium sized bowl. Transfer peppers and onions to a cutting board and slice into strips. Set aside.
5. Place flank steak directly on grill. Cook until medium rare, about 4 minutes per side, or until meat reaches an internal temperature of 74°C / 165°F.
6. Remove flank steak from the grill and transfer to cutting board. Let meat rest for 5 minutes then slice against the grain into strips.
7. Place flank steak, peppers, and onions in a platter and serve immediately with warm tortillas, salsa, guacamole, sour cream, shredded cheese, thinly sliced iceberg lettuce, or your favorite fajita toppings.

BLACKENED MAHI-MAHI TACOS WITH MANDARIN HABANERO MANGO SALSA

Makes 4–6 servings

Ingredients:

4	mahi-mahi fillets (170 g / 6 oz.)
30 ml / 2 tbsp	<i>Louisiana Grills Mandarin Habanero seasoning</i>
30 ml / 2 tbsp	olive oil
475 ml / 2 cups	shredded red cabbage
235 ml / 1 cup	sour cream
12	small corn tortillas

Mandarin Habanero Mango Salsa:

2	mangos, peeled and diced
15 ml / 1 tbsp	<i>Louisiana Grills Mandarin Habanero seasoning</i>
30 ml / 2 tbsp	lime juice
80 ml / 1/3 cup	red onion, diced
60 ml / 1/4 cup	fresh cilantro, chopped

Instructions:

1. Rinse mahi-mahi fillets under cold water and blot dry with paper towel. Rub fillets with olive oil, then sprinkle Louisiana Grills Mandarin Habanero seasoning over both sides of the fillets, rubbing the seasoning in. Set aside.
2. Prepare Mandarin Habanero Mango Salsa by combining all ingredients in a medium sized bowl, tossing lightly to mix. Set aside.
3. Light your ceramic charcoal barbecue to 205°C / 400°F. Place mahi-mahi fillets directly on the grill and cook 5–7 minutes on each side.
4. Remove mahi-mahi from grill and let rest 5 minutes before pulling apart into small pieces.
5. Carefully remove cooking grate from barbecue using oven mitts or grill grippers. Replace grill grate with heat deflector and place tortillas on heat deflector, heating for 30 seconds–1 minute or until warm, but not hot.
6. Stack the tortillas in twos. Distribute the fish evenly between each set of tortillas. Top with red cabbage, sour cream, and mango salsa.
7. Serve immediately.

RASPBERRY CHIPOTLE PORK KEBABS

Makes 4–8 servings

Ingredients:

450 g / 15.8 oz	boneless pork loin cut into cubes (2.5 cm / 1 inch)
30 ml / 2 tbsp	<i>Louisiana Grills Raspberry Chipotle seasoning</i>
15 ml / 1 tbsp	olive oil
15 ml / 1 tbsp	honey
30 ml / 2 tbsp	apple cider vinegar
3	bell peppers variety of color, in pieces (2.5 cm / 1 in)
1	red onion cut into chunks
8	wood or metal skewers (30 cm / 12 inch)

Instructions:

1. In a medium bowl, whisk together apple cider vinegar, Louisiana Grills Raspberry Chipotle seasoning, olive oil, and honey. Add the cubed pork loin to marinade and toss to coat. Cover with plastic wrap and let marinate for 30 minutes–1 hour.
2. Once meat is marinated, remove from marinade and thread cubed pork loin onto the skewers, alternating with pieces of bell pepper and red onion.
3. Light your ceramic charcoal barbecue to 205°C / 400°F. Grill kebabs directly on the grill, turning often, until all sides of the meat is well browned and vegetables are tender (about 15 minutes).
4. Serve immediately.

NOTE: If using wood skewers, soak in water for 30–45 minutes prior to use.

INFORMATIONS DE SÉCURITÉ

LES CAUSES MAJEURES DES INCENDIES D'APPAREILS SONT LE RÉSULTAT D'UN MAUVAIS ENTRETIEN ET D'UN DÉFAUT DE MAINTENIR DU DÉGAGEMENT REQUIS POUR LES MATÉRIAUX COMBUSTIBLES. IL EST D'UNE IMPORTANCE CRUCIALE QUE CE PRODUIT SOIT UTILISÉ SEULEMENT CONFORMÉMENT AUX INSTRUCTIONS SUIVANTES.

Veuillez lire et comprendre ce manuel avant d'assembler, d'utiliser ou d'installer le produit. Cela vous assurera de profiter au mieux et sans soucis de votre nouveau gril à charbon en céramique. Nous vous conseillons également de conserver ce manuel pour référence ultérieure.

DANGERS ET AVERTISSEMENTS

Vous devez communiquer avec votre municipalité, vos autorités locales en matière de feu ou de construction ou toute autre autorité compétente afin d'obtenir les permis nécessaires, la permission ou des renseignements sur toutes les restrictions d'installation, y compris ceux relatifs à l'installation d'un gril sur une surface combustible, aux règles d'inspection ou encore aux permis d'utilisation dans votre région.

1. Un dégagement minimum de 2m (78 inches) des constructions combustibles sur les côtés du gril doit être maintenu. **Ne pas installer l'appareil sur des planchers non combustibles ou des planchers protégés par des surfaces non combustibles à moins que des permis et autorisations adéquates n'aient été obtenues par les autorités compétentes.** Cet appareil ne doit pas être placé sous un plafond, un surplomb combustible, un auvent, un parasol ou un gazebo combustible. Ne pas utiliser sur le platelage ou toute autre surface combustible telle que l'herbe sèche, les copeaux de bois, le paillis de feuilles ou l'écorce décorative. N'utilisez pas ce produit dans une tente, une caravane, une voiture, une cave, un loft ou un bateau. Gardez votre gril dans une zone dégagée et exempte de matières combustibles, d'essence et d'autres vapeurs et liquides inflammables.

En cas d'incendie de graisse, laissez le couvercle fermé jusqu'à ce que le feu soit éteint. Ne pas jeter d'eau sur l'appareil. Ne pas essayer d'étouffer le feu. L'utilisation d'un extincteur approuvé toutes classes (classe ABC) est précieuse à conserver sur place. Si un incendie non contrôlé se produit, appelez les pompiers.

2. N'utilisez pas cette unité céramique comme four. Ce produit est destiné à un usage extérieur uniquement. Ne pas utiliser à l'intérieur.

RISQUE D'INCENDIE: Peut émettre des braises chaudes en cours d'utilisation. Ne transportez pas votre gril en cours d'utilisation ou lorsque le gril est chaud. Assurez-vous que le feu est complètement éteint et que le gril est complètement froid au toucher avant de bouger.

3. Ce produit deviendra très chaud et des blessures graves peuvent survenir. Ne laissez jamais un feu allumé sans surveillance. Tenez les jeunes enfants et les animaux domestiques à l'écart pendant l'utilisation. Il est recommandé d'utiliser des gants ou des gants de barbecue résistant à la chaleur lors de l'utilisation du gril. Ne pas utiliser d'accessoires n'ayant pas été conçus pour être utilisés avec cet appareil.

Cet appareil n'est pas conçu pour être utilisé par des enfants, des personnes à capacités physiques, sensorielles ou intellectuelles réduites ou sans expérience ni connaissances, à moins qu'elles soient surveillées directement par une personne responsable de leur sécurité.

4. Après une période de stockage ou de non-utilisation, inspectez l'appareil avant de l'utiliser pour vous assurer de la fatigue et des dommages et remplacez-le au besoin. Nettoyer avant utilisation. Si le gril est entreposé à l'extérieur durant la saison des pluies ou pendant les saisons de forte humidité, l'appareil doit être séché avant d'effectuer toute opération d'entretien ou de maintenance. Utilisez une couverture de gril, si disponible.

5. Il est fortement conseillé d'utiliser du charbon de bois en blocs dans votre barbecue à charbon en céramique. Il brûle plus longtemps et produit moins de cendres qui peuvent restreindre l'écoulement d'air. N'utilisez pas de charbon dans ce produit. Charbon non inclus.

Ne pas utiliser d'alcool, d'essence, de pétrole, d'essence à briquet ou du kérosène pour allumer ou faire reprendre un feu dans votre grill. Conservez tous ces liquides loin du grill lorsque celui-ci fonctionne.

ÉLIMINATION DES CENDRES

Les cendres devraient être déposées dans un contenant métallique avec couvercle hermétique. Le contenant fermé de cendres devrait être placé sur un plancher non combustible ou sur le sol, loin de toute matière combustible en attendant leur élimination définitive. Lorsque les cendres sont disposées par enterrement dans le sol, ou dispersées localement, elles doivent être conservées dans un récipient fermé jusqu'à ce que toutes les cendres aient été complètement refroidies.

LE MONOXYDE DE CARBONE (« LE TUEUR SILENCIEUX »)

Le monoxyde de carbone est un gaz incolore, inodore et sans goût produit par la combustion des gaz, du bois, du propane, du charbon ou d'autres combustibles. Le monoxyde de carbone réduit la capacité du sang à transporter l'oxygène. Les faibles niveaux d'oxygène sanguin peuvent entraîner des maux de tête, des étourdissements, des faiblesses, des nausées, des vomissements, de la somnolence, de la confusion, de la perte de conscience ou la mort. Suivez les directives suivantes pour empêcher ce gaz incolore et inodore de vous empoisonner ainsi que votre famille et les autres :

- Consultez un médecin si vous ou les autres développez des symptômes similaires à un rhume ou la grippe quand vous cuisinez ou quand vous vous trouvez à proximité de l'appareil. L'empoisonnement au monoxyde de carbone, qui peut facilement être confondu avec le rhume ou la grippe, est souvent détecté trop tard.
- La consommation d'alcool et de drogues augment les effets de l'empoisonnement au monoxyde de carbone

Le monoxyde de carbone est particulièrement toxique pour la mère et l'enfant pendant la grossesse, pour les nourrissons, les personnes âgées, les fumeurs et les personnes souffrant de problèmes de circulation sanguine ou du système circulatoire, tels que l'anémie ou les maladies cardiaques.



AVIS SUR LES DROITS D'AUTEUR

Droit d'auteur 2021. Tous droits réservés. Nulle partie de ce manuel ne peut être reproduite, transmises, transcrite ou stockée dans un système de recherche de quelque façon que ce soit sans l'autorisation préalable écrite de,

Dansons

8877 North Gainey Center Drive, Scottsdale, AZ, USA 85258
sales@louisiana-grills.com | service@louisiana-grills.com
www.louisiana-grills.com

États-Unis: (480) 923-9632 | Canada (Sans Frais) : 1-877-942-2246

TABLE DES MATIÈRES

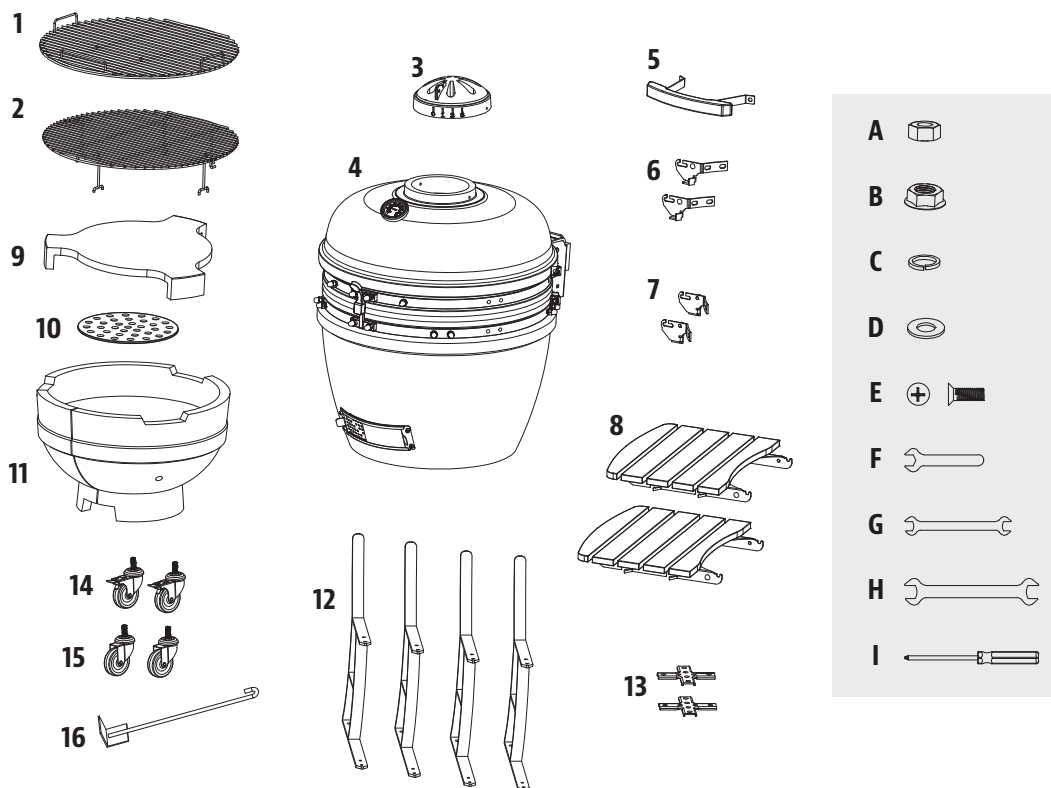
Informations de sécurité	20	Entretien et maintenance	29
Pièces et spécifications	23	Lignes directrices pour la cuisine	30
Préparation de l'assemblage	24	Conseils et techniques	32
Instructions d'assemblage		Dépannage	33
Fixer les roulettes.....	24	Garantie	
Assemblage du chariot	24	Conditions.....	34
Soulever le corps en céramique sur le chariot.....	25	Annulation de la garantie.....	34
Fixer à l'évent supérieur	25	Exceptions.....	35
Fixez les supports de tablette.....	25	Commande de pièces de remplacement.....	35
Installer les tablettes latérales.....	25	Appelez le service à la clientèle	35
Fixer la poignée du couvercle.....	26	Service de garantie	35
Installer les composants de cuisson	26	Recettes.....	36
Instructions d'utilisation			
Au sujet de votre barbecue au charbon en céramique	27		
Comprendre le débit d'air et le contrôle de l'évents	27		
Première utilisation – gril « burn off ».....	28		
Préchauffage.....	28		
Procédure d'allumage	28		
Procédure d'ajout de combustible	28		
Éteindre le grill.....	28		

PIÈCES ET SPÉCIFICATIONS

N°	Description
1	Grille de cuisson principale (x1)
2	Grille de cuisson surélevée (x1)
3	Évent du haut (x1)
4	Corps en céramique (x1)
5	Poignée du couvercle (x1)
6	Supports de tablette gauche (x2)
7	Supports de tablette droite (x2)
8	Tablettes latérales (x2)
9	Défecteur de chaleur (x1)
10	Plaque pour le charbon de bois (x1)
11	Boîte à feu (x1)
12	Support (x4)
13	Traverses (x2)

N°	Description
14	Roulette verrouillable (x2)
15	Roulette (x2)
16	Outil de cendres (x1)
A	Écrous - petit (x16)
B	Écrous - grand (x4)
C	Rondelles de verrouillage (x16)
D	Rondelles (x16)
E	Vis (x16)
F	Clé plate (x1)
G	Clé à écrous 9/11 (x1)
H	Clé à écrous 16/19 (x1)
I	Tournevis (x1)

REMARQUE: de par le développement continu du produit, des pièces peuvent faire l'objet de modifications sans préavis. Contactez le service clients si des pièces manquent lors de l'assemblage de l'appareil.



MODÈLE	APPAREIL MONTÉ (L x H x P)	POIDS DE L'APPAREIL	ZONE DE CUISSON
LG LGK22	1 320 x 845 x 1 150 mm / 51,9 po x 33,2 po x 45,2 po	103 kg / 227.0 lb	Principale - 2 703 cm ² / 419,02 po ² Supérieure - 2 478 cm ² / 384,22 po ² TOTAL - 5 182 cm ² / 803,24 po ²

PRÉPARATION DE L'ASSEMBLAGE

Les pièces sont situées dans tout le carton d'expédition, y compris sous le gril. Inspectez la grille, les pièces et l'emballage de matériel après avoir retiré de l'emballage de protection en carton. Avant l'assemblage du produit, examinez toutes les pièces et référez-vous à la liste des pièces. En cas de pièce manquante ou endommagée, ne tentez pas d'assembler. Les dommages lors de l'expédition ne sont pas couverts par la garantie. Contactez votre revendeur ou le service à la clientèle de Louisiana Grills® pour les pièces.

service@louisiana-grills.com | États-Unis: (480) 923-9632 | Canada (Sans Frais) : 1-877-942-2246

IMPORTANT : Pour faciliter l'installation et éviter les blessures, utilisez deux personnes lors de l'assemblage de cet appareil.

Outils nécessaires pour l'assemblage : clé plate, clé à écrous 9/11, clé à écrous 16/19, tournevis. *Outils inclus.*

INSTRUCTIONS D'ASSEMBLAGE

REMARQUE : Pour toutes les étapes suivantes, ne pas serrer complètement les vis jusqu'à ce que toutes les vis de cette étape aient été installées. Une fois toutes les vis installées, serrez-les correctement. La combinaison de matériel impliquant une rondelle et une rondelle de blocage doit être installée avec la rondelle de verrouillage la plus proche de la tête de la vis.

1. FIXER LES ROULETTES

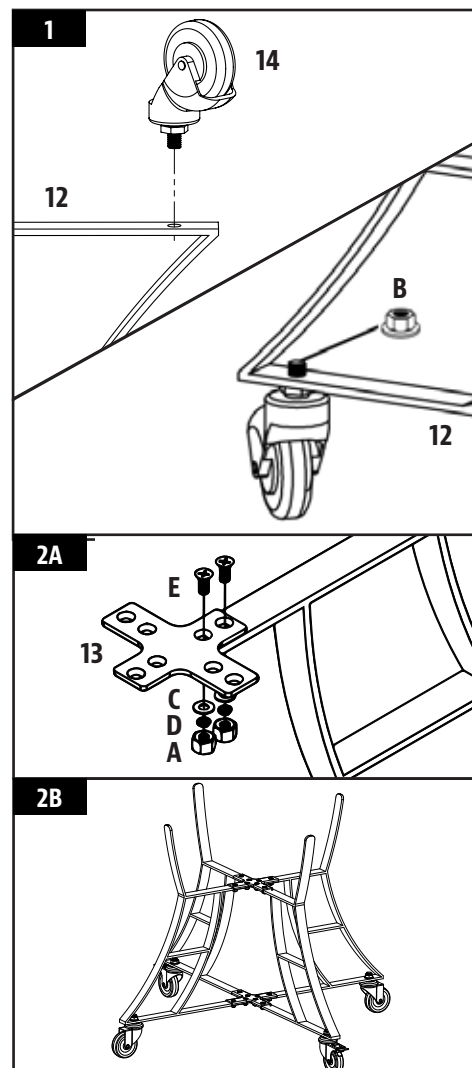
Pièces nécessaires :

- 4 x Support (#12)
- 2 x Roulette verrouillable (#14)
- 2 x Roulette (#15)
- 4 x Écrous - grand (#B)

Installation :

- Attachez les quatre roues pivotantes préfiletées à chacun des quatre supports par vissage dans le trou. Fixez les roulettes avec les grands écrous.

REMARQUE : Pour garder les pattes de support à niveau, assurez-vous que le boulon de la roue n'atteigne pas le grand écrou.



2. ASSEMBLAGE DU CHARIOT

Pièces nécessaires :

- 2 x Traverses (#13)
- 16 x Vis (#E)
- 16 x Rondelles (#D)
- 16 x Rondelles de verrouillage (#C)
- 16 x Écrous - petit (#A)

Installation :

- Pour assembler le chariot, insérez la traverse dans l'un des quatre supports. Fixez les supports aux traverses en utilisant un vis, rondelles de verrouillage, rondelle, et écrou. Notez la position représentée sur la figure 2A.
- Continuez à insérer les traverses dans les trois autres supports. Le chariot est maintenant complet. Notez 2B.

3. SOULEVER LE CORPS EN CÉRAMIQUE SUR LE CHARIOT

Pièces nécessaires :

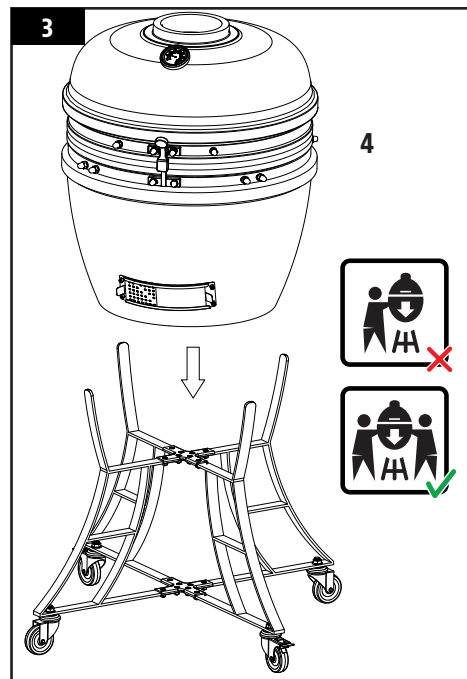
1 x Corps en céramique (#4)

Installation :

- Avant tout, retirez d'abord tous les éléments qui sont à l'intérieur du barbecue pour pouvoir le soulever plus facilement. Assurez-vous que le chariot est sécurisé et que toutes les vis sont bien serrées avant de déposer le corps en céramique à l'intérieur. Appuyez sur les leviers des roues pivotantes pour enclencher leur verrouillage et garantir la stabilité de votre barbecue à charbon en céramique pendant son utilisation.

ATTENTION : Il faut au moins deux personnes pour soulever le barbecue à charbon en céramique et le déposer sur le chariot. Ignorer cet avertissement peut entraîner des blessures graves ou des dommages au produit.

- Pour placer le corps en céramique sur le chariot, placez une de vos mains dans l'évent du bas du barbecue à charbon en céramique et l'autre sous le corps en céramique. Placez le barbecue à charbon en céramique sur le chariot avec l'évent du bas face à l'avant du chariot, pour permettre à l'évent de s'ouvrir et de se fermer sans interruption.



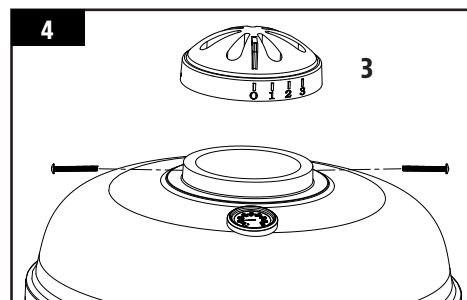
4. FIXER À L'ÉVENT SUPÉRIEUR

Pièces nécessaires :

1 x Évent du haut (#3)

Installation :

- Alignez l'encoche latérale avec le thermomètre à l'avant, puis placer sur l'ouverture supérieure. Fixez avec les vis, rondelles, et l'écrous préattachés.



5. FIXER LES SUPPORTS DE TABLETTES

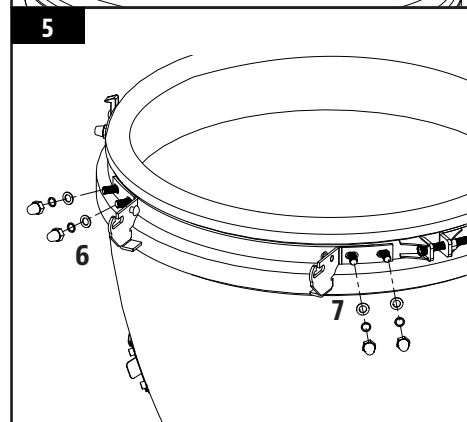
Pièces nécessaires :

2 x Supports de tablette gauche (#6)

2 x Supports de tablette droite (#7)

Installation :

- Fixez les supports de tablette gauche au corps en céramique à l'aide des vis préattachés avec leurs rondelles, rondelles de verrouillage et les écrous correspondants sur la garniture.
- Répétez la même installation pour les supports de tablette droit. Serrez bien toutes les vis une fois que toutes les supports sont installées.



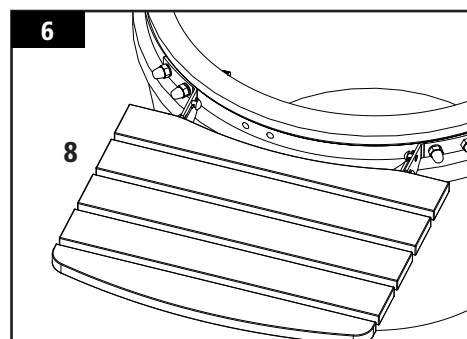
6. INSTALLER LES TABLETTES LATÉRALES

Pièces nécessaires :

2 x Tablettes latérales (#8)

Installation :

- Insérez les charnières de chaque tablette latérale dans chacune des parenthèses d'étagère latérales des deux côtés du corps en céramique.



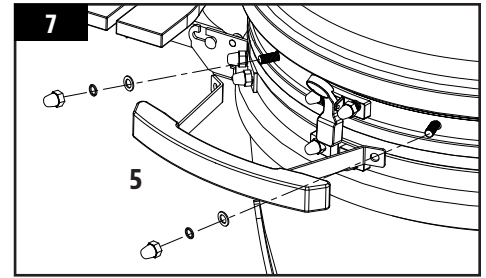
7. FIXER LA POIGNÉE DU COUVERCLE

Pièces nécessaires :

- 1 x Poignée du couvercle (#5)

Installation :

- Fixez la poignée du couvercle au corps en céramique à l'aide des rondelles à vis pré-fixées, des rondelles de blocage et des écrous de la garniture.



8. INSTALLER LES COMPOSANTS DE CUISSON

Pièces nécessaires :

- 1 x Grille de cuisson surélevée (#2)
 1 x Grille de cuisson principale (#1)
 1 x Déflecteur de chaleur (#9)
 1 x Plaque pour le charbon de bois (#10)
 1 x Boîte à feu (#11)

Installation :

- Ouvrez le couvercle du corps en céramique et insérez la chambre de combustion dans la base du corps en céramique. L'avant de la chambre de combustion avec l'arche de la jante inférieure doit faire face à l'avant de l'unité, en alignant avec l'amortisseur inférieur pour le nettoyage des cendres. Note 8A.

REMARQUE : Le joint de dilatation dans la chambre de combustion est créé pour tenir compte de l'expansion de la céramique dans une chaleur extrême. Cette fissure n'est pas un défaut dans la céramique, mais intentionnelle dans la conception de la structure.

- Placez la plaque à charbon sur la base intérieure de la chambre de combustion.

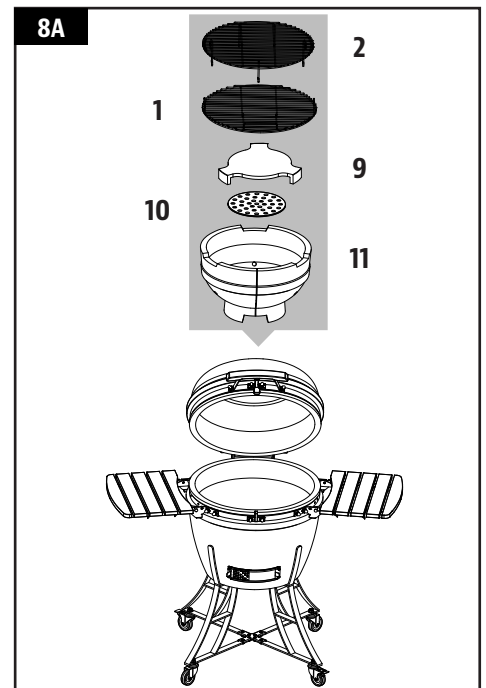
IMPORTANT : La plaque de charbon de bois doit être dans la chambre de combustion pendant son utilisation. Manquer cette partie pourrait entraîner une défaillance de l'éclairage en raison du manque d'oxygène pour le charbon une fois allumé.

- Placez le déflecteur de chaleur pour qu'il repose à l'intérieur du foyer.
- REMARQUE: Le déflecteur de chaleur peut être utilisé pour la cuisson indirecte.** Placez la grille de cuisson principale à l'intérieur du corps en céramique. Placez la grille de cuisson supérieure sur le dessus de la grille principale.

REMARQUE : Pour maintenir les performances abrasives et de grillage de vos grilles de cuisson, des soins et un entretien régulier sont nécessaires.

- Le barbecue à charbon en céramique est désormais prêt à l'emploi. Notez 8B.

IMPORTANT : Assurez-vous de lire attentivement les instructions de traitement avant utilisation.



INSTRUCTIONS D'UTILISATION

AU SUJET DE VOTRE BARBECUE AU CHARBON EN CÉRAMIQUE

Les barbecues au charbon de bois en céramique sont extrêmement polyvalents. Non seulement peut-on les utiliser pour griller ou fumer, mais aussi pour confectionner sans effort des pizzas, du pain, des tartes et des biscuits. Grâce à leurs excellentes propriétés de rétention de la chaleur, des températures élevées peuvent être atteintes et maintenues par un contrôle précis du débit d'air par les événements supérieurs et inférieurs. Les températures élevées sont idéales pour la cuisson rapide de hamburgers et de saucisses, tandis que les plus grosses pièces de viande peuvent cuire à basse température pendant une période plus longue. Essayez d'ajouter des copeaux de bois au charbon, ou de combiner des copeaux de différentes sortes de bois pour donner plus de saveur à vos viandes.

La clé consiste à expérimenter le temps que vous autorisez à fumer, avant que le repas ne soit cuit. Certains chefs de plein air préfèrent fumer à la fin d'une cuisson, ce qui permet à la nourriture de rester au chaud jusqu'à ce qu'elle soit prête à être servie. La pratique rend parfaitement!

COMPRENDRE LE DÉBIT D'AIR ET LE CONTRÔLE DE L'ÉVÉNEMENTS

Le cœur de votre gril réside dans la relation entre les volets de ventilation supérieur et inférieur. L'ouverture des registres, permettant à plus d'air de circuler à travers le système, permet au charbon de brûler très chaud et de créer des braises de feu. Pour cuisiner à des températures plus basses, gardez les volets ouverts à une faible distance, ce qui permet une circulation d'air minimale et une rétention maximale de la chaleur dans la chambre céramique.

Pour assurer le fonctionnement correct du gril, un entretien et un nettoyage appropriés de la chambre de combustion sont essentiels. Si le gril n'atteint pas la température désirée, vérifiez que le débit d'air est correct et qu'aucun des amortisseurs n'est bloqué.

CONSEIL : Le gril peut fonctionner en toute efficacité pendant de longues périodes de temps aussi longtemps qu'il y a une quantité suffisante de carburant sec, un bon débit d'air et que les composantes de cuisson sont propres.

PREMIÈRE UTILISATION – GRIL « BURN OFF »

Le durcissement de votre barbecue au charbon en céramique est important pour en assurer un fonctionnement et un entretien à long terme. Si les premières brûlures sont trop chauds, ils pourraient endommager le feutre joint d'étanchéité avant qu'il ait eu la chance de mûrir avec l'utilisation. Pour commencer votre premier feu:

1. Placez un cube d'allumage ou des allumoirs et une poignée de charbon sur le dessus de la plaque à charbon. Ouvrez l'événement du bas et allumez le cube d'allumage en utilisant un briquet à longue portée ou des allumettes de sécurité.

N'utilisez pas d'essence, d'essence minérale, d'essence à briquet, de l'alcool ou autres produits chimiques similaires pour effectuer l'allumage ou le rallumage.

2. Une fois les briquettes de charbon allumées, procédez au durcissement de l'unité en fermant le couvercle, et en laissant les deux événements pratiquement fermés. Brûlez jusqu'à ce que le combustible soit brûlé et que le feu soit éteint. Ceci pourrait exiger environ deux heures. Ne pas surcharger l'unité de combustible.
3. Après la première utilisation, inspectez toutes les fixations. La bande métallique reliant votre couvercle à la base s'agrandira en raison de la chaleur et pourrait devenir lâche. Il est recommandé de vérifier et de resserrer la bande, si nécessaire, à l'aide d'une clé.
4. Vous pouvez maintenant utiliser normalement votre barbecue au charbon en céramique.

PROCÉDURE D'ALLUMAGE

Lorsque vous utilisez le barbecue à charbon en céramique, poussez vers le bas les deux bloqueurs pour empêcher l'appareil de bouger pendant l'utilisation. Assurez-vous que le barbecue à charbon en céramique est positionné sur une surface plane, stable et de niveau, résistante à la chaleur et non inflammable. Tenez-le éloigné de tout objet inflammable. Prévoyez un espace dégagé de 2 m / 78 po minimum au-dessus du barbecue à charbon en céramique et une distance d'au moins 2 m / 78 po par rapport aux objets environnants.

1. Pour allumer un feu, placez des boules de papier journal et quelques cubes d'allumage ou allume-feu solides sur la plaque de charbon de bois dans le fond du barbecue à charbon en céramique. Ensuite, placez deux ou trois poignées de charbon de bois en blocs sur le papier journal.

N'utilisez pas d'essence, d'essence minérale, d'essence à briquet, de l'alcool ou autres produits chimiques similaires pour effectuer l'allumage ou le rallumage.

2. Ouvrez l'évent du bas, puis allumez le papier journal à l'aide d'un briquet à long bec ou d'allumettes de sûreté. Une fois que le feu a pris, laissez l'évent du bas et le couvercle ouverts pendant environ 10 minutes, pour qu'une petite couche de braises se forme.
3. Laissez le charbon de bois chauffer et rester incandescent pendant au moins 30 minutes avant la première cuisson sur le barbecue à charbon en céramique. Ne faites rien cuire avant que le carburant n'ait formé une couche de cendres.

Il est recommandé de ne pas attiser les braises ou retourner les blocs de charbon de bois une fois qu'ils sont allumés. Cela leur permet de brûler plus uniformément et efficacement.

4. Une fois l'appareil allumé, utilisez seulement des gants résistants à la chaleur lors de la manipulation des céramiques ou des surfaces de cuisson chaudes.

PROCÉDURE D'AJOUT DE COMBUSTIBLE

Avec l'évent du haut et du bas fermés, le barbecue à charbon en céramique restera à une température élevée pendant plusieurs heures. Si vous avez besoin d'un temps de cuisson plus long (par exemple lors du rôtiage d'une pièce entière non désossée ou lors d'un fumage lent), il peut être nécessaire d'ajouter du charbon de bois.

1. Ouvrez le couvercle, et puis enlevez les grilles et déflecteur de chaleur en utilisant des gants résistants à la chaleur ou une spatule.
2. Ajouter du charbon de bois supplémentaire à la boîte à feu
3. Remettre le déflecteur de chaleur et les grilles de cuisson en place et continuer à cuire normalement.

N'utilisez pas d'essence, d'essence minérale, d'essence à briquet, de l'alcool ou autres produits chimiques similaires pour effectuer l'allumage ou le rallumage. Aussi, n'essayez pas d'ajouter plus d'allume-feu dans un feu qui brûle déjà ou dans une grille brûlante. Cela pourrait causer des blessures.

ÉTEINDRE LE GRILL

1. Pour éteindre l'appareil, arrêtez d'ajouter du carburant et fermez tous les événements et le couvercle pour laisser le feu mourir naturellement par manque d'oxygène.

IMPORTANT : N'utilisez pas d'eau pour éteindre le charbon de bois, car cela pourrait endommager le barbecue à charbon en céramique.

ENTRETIEN ET MAINTENANCE

Votre gril Louisiana Grills® vous servira fidèlement pendant de longues années tout en minimisant les efforts de nettoyage. Une étape importante est de laisser le gril et les grilles de cuisson s'auto-nettoyer en allumant le gril à une température élevée après chaque utilisation. Suivez ces conseils de nettoyage et de maintenance pour réviser votre gril:

1. LES SURFACES INTERNES

- Il est recommandé de nettoyer votre pot de combustion après chaque utilisation. Cela assurera un allumage correct et évitera toute accumulation de débris ou de cendres sur les composants de cuisson. Chauffez-le jusqu'à 260 °C / 500 °F pendant 30 minutes et il brûlera toute la nourriture et les débris.

REMARQUE : N'utilisez pas d'eau ou d'autres types de produits de nettoyage pour nettoyer l'intérieur de votre barbecue à charbon en céramique. Ses parois sont poreuses et absorbent les fluides utilisés, ce qui pourrait fissurer le barbecue à charbon en céramique.

- Utilisez une brosse de nettoyage pour gril, retirez tout aliment ou accumulation des grilles de cuisson. La meilleure pratique est de faire cela alors qu'ils sont encore chauds d'une précédente cuisson. Les feux de graisse sont causés par trop de débris tombés sur les composants de cuisson du gril. Nettoyez l'intérieur de votre gril de façon régulière. Dans le cas où vous êtes confronté à un feu de graisse, gardez le couvercle du gril fermé pour étouffer l'incendie. Si l'incendie ne s'éteint pas rapidement, retirez soigneusement les aliments, éteignez le gril et fermez le couvercle jusqu'à ce que le feu soit complètement éteint. Saupoudrez légèrement de bicarbonate de soude, si disponible.
- La plaque pour le charbon de bois ne va pas au lave-vaisselle; Utilisez un détergent doux avec de l'eau chaude.
- Une fois l'unité complètement refroidie, utilisez l'outil de cendre pour gratter les restes de carbone à travers l'évent du registre inférieur. Ouvrez délicatement la plaque coulissante et râteau les cendres dans un petit récipient de déchets sous l'ouverture d'évent. Éliminer le contenant ou le conserver pour une utilisation ultérieure.

2. LES SURFACES EXTERNES

Après une inspection minutieuse, la finition de votre barbecue au charbon de bois peut sembler avoir des lignes de fissure. Ce n'est pas la fissuration de la céramique. Ceci est connu sous le nom de fendillement et est causé par les différents taux de dilatation entre la finition glaçure et l'argile. Le motif de fissuration de la toile d'araignée est différent d'une rupture de l'aspect qui ne peut être ressentie à la surface, à moins d'utiliser un ongle; cependant, il devient plus apparent visuellement quand la surface est poussiéreuse ou agrandie.

Essayez votre gril après chaque utilisation. Utilisez de l'eau chaude savonneuse pour briser la graisse. Ne pas utiliser de nettoyant à four, nettoyant abrasif ou pad sur les surfaces externes du gril.

- Vérifiez et serrez les bagues métalliques du corps et du couvercle en céramique, et huilez les charnières, deux fois par an ou plus si nécessaire. Vous ne devriez pas être capable de tourner facilement une clé hexagonale tout en maintenant l'écrou en place.
- Utilisez une couverture pour gril afin de protéger votre gril pour une protection complète! Une couverture est votre meilleure protection contre les intempéries et les polluants extérieurs. Lorsqu'il n'est pas utilisé ou pour un stockage à long terme, conservez l'unité sous une housse de grille dans un garage ou un hangar.

TABLEAU DE FRÉQUENCE DE NETTOYAGE (UTILISATION NORMALE)







ARTICLE	FRÉQUENCE DE NETTOYAGE	MÉTHODE DE NETTOYAGE
Fond de la boîte de feu	Toutes les 5-6 sessions	Évider, aspirer les cendres et les débris
Grilles de cuisson	Après chaque session	Brûlez les graisses en trop, utilisez une brosse de nettoyage
Charnière de couvercle	Deux fois par an	Composants de charnière à huile
Bagues en métal	Deux fois par an	Serrer en utilisant la clé hexagonale
Plaque de charbon de bois	Toutes les 5-6 sessions	Eau chaude et détergent doux
Corps en céramique intérieur	Toutes les 2-3 sessions	Chauffer à 260 °C / 500 °F pendant 30 minutes
Corps en céramique extérieur	Après chaque session	Eau savonneuse

LIGNES DIRECTRICES POUR LA CUISINE

Les styles de cuisson de fumage et de grillage peuvent vous donner des résultats différents dépendant du temps et la température. Pour obtenir de meilleurs résultats, conservez un registre de tout ce que vous cuisinez, à quelle température vous le cuisinez, ainsi que les résultats. Ajustez toutes ces variables, selon vos goûts, la prochaine fois. Ce n'est qu'en s'exerçant qu'on s'améliore.

L'art culinaire du fumage à chaud équivaut à des temps de cuisson plus long, mais il produit également une saveur plus naturelle (et une « **bande de fumage** ») dans vos viandes. Une température de cuisson plus élevée, ce qui veut dire moins de temps de cuisson, vous offrira moins de saveur fumée.

CONSEIL : Pour de meilleurs résultats, laissez reposer les viandes après la cuisson. Ceci permet aux jus naturels de revenir dans les fibres de la viande, produisant ainsi une coupe plus juteuse et plus savoureuse. Le temps de repos peut n'être que 3 minutes et peut même aller jusqu'à 60 minutes, selon la taille des protéines.

STYLE DE CUISSON	FUMAGE CHAUD (très faible)	RÔTI (faible)	CUISSON FOUR (moyen)	GRILLAGE/CUISSON FOUR (moyen/élevé)	SAISIR (élevé)
Gamme de températures	93-135°C / 199-275°F	135-162°C / 275-323°F	162-190°C / 323-374°F	190-232°C / 374-449°F	260-330°C / 500-625°F
Évent supérieur OPEN ● CLOSED ○					
Évent de fond OPEN ● CLOSED ○					

VOLAILLE	TAILLE	Saignant - 54°C / 130°F	À point - 60°C / 140°F	Bien cuit - 77°C / 170°F
Dinde (entière)	4,5-5,0 kg / 10-11 lbs. 5,3-6,4 kg / 12-14 lbs. 6,8-7,7 kg / 15-17 lbs. 8,2-10,0 kg / 18-22 lbs. 10,4-11,3 kg / 23-25 lbs.			Gril 90 - 120 minutes Gril 110 - 140 minutes Gril 130 - 160 minutes Gril 140 - 170 minutes Gril 150 - 180 minutes
Poulet (entier)	1,36-2,26 kg / 3-5 lbs.			Gril 1 - 1.5 heures
Pilons, poitrines	0,45 - 0,86 kg / 1 - 1½ lbs.			Gril 30-60 minutes
Petits gibiers à plumes	0,45 - 0,86 kg / 1 - 1½ lbs.			Gril 30-45 minutes
Canard	1,36-2,26 kg / 3-5 lbs.			Rôti ou sur le gril 2 - 2.5 heures

PORC	TAILLE	Précuit près à être réchauffé - 60°C / 140°F	À point 66°C / 150°F	Bien cuit 71°C / 160°F
Jambon (Partie entièrement cuite et désossée, Porc fumé entier & avec os)	2,5 cm / 1 po 1,36-1,81 kg / 3-4 lbs. 1,81-2,72 kg / 4-6 lbs. 2,26-3,62 kg / 5-8 lbs. 4,53-5,44 kg / 10-12 lbs.	12 minutes 50 minutes - 1 heure 1 - 2 heures 1 - 2½ heures 2 - 2¾ heures		
Longe de porc	1,36-1,81 kg / 3 - 4 lbs.		1 - 2 heures	2 - 3 heures
Rôti de couronne de côte	1,81-2,26 kg / 4 - 5 lbs.		1½ - 2 heures	2 - 3 heures
Côtelette (longe, côte)	1,9-2,5 cm / ¾ - 1 po 3,1-3,9 cm / 1¼ - 1½ po		10 - 12 minutes 14 - 18 minutes	
Filet	1,9-2,5 cm / ¾ - 1 po		20 - 30 minutes	30 - 45 minutes
Rôti de longe de porc, sans os	1,36-2,26 kg / 3-5 lbs.		1¼ - 1¾ heures	1¾ - 2½ heures
Boston Butt (Épaule de porc)	3,62-4,53 kg / 8-10 lbs.			93 - 98 °C / 200 - 210 °F Température interne

BOEF	TAILLE	CHALEUR	DURÉE APPROXIMATIVE DU TEMPS DE CUISSON		
			Saignant 54 °C / 130 °F	À point 60 °C / 140 °F	Bien cuit 65 °C / 150 °F
Steak (<i>New York, Porterhouse, faux filet, surlonge, T-bone, ou filet</i>)	1,9 cm / ¾ po 2,5 cm / 1 po 3,8 cm / 1½ po 5 cm / 2 po	Haut	Saisir pendant 8 à 10 minutes Saisir pendant 10 à 12 minutes Saisir pendant 10 minutes, griller pendant 8 à 10 minutes Saisir pendant 10 minutes, griller pendant 10 à 14 minutes		
Bifteck de hampe	0,6 - 12,7 cm / ¼ - ½ po	Haut	Saisir 5-7 minutes		
Bavette	0,45 - 0,86 kg / 1 - 1½ lbs., 1,9 cm / ¾ po	Moyen	Saisir pendant 4 minutes, griller pendant 8 à 10 minutes		
Kébab	2,5 - 3,8 cm / 1 - 1½ po cubes	Moyen	Gril 10 - 12 minutes		
Filet	1,58 - 1,81 kg / 3½ - 4 lbs.	Haut/Moyen	Saisir pendant 10 minutes, gril pendant 15 à 20 minutes		
Steak haché	1,9 cm / ¾ po	Haut/Moyen	Saisir pendant 4 minutes, griller pendant 4 à 6 minutes		
Rôti de bœuf de faux-filet, sans os	2,26 - 2,72 kg / 5 - 6 lbs.	Moyen	Gril 1½ - 2 heures		
Rôti trois pointes	0,9 - 1,13 kg / 2 - 2½ lbs.	Haut/Moyen	Saisir pendant 10 minutes, griller pendant 20 à 30 minutes		
Rôti de côtes	5,44 - 6,35 kg / 12 - 14 lbs.	Moyen	2½ - 2¾ heures		
Côtelettes de veau	2,5cm / 1 po	Moyen	10 - 12 minutes direct		
Poitrine	7,25 - 3,62 kg / 16 -18 lbs.	Fumage chaud	Cuire jusqu'à ce que la température interne atteigne 91°C / 195°F		

AGNEAU	TAILLE	Saignant - 54 °C / 130 °F	À point - 60 °C / 140 °F	Bien cuit - 71 °C / 160 °F
Rôti (frais)	2,26 - 2,72 kg / 5 - 6 lbs.		1 - 2 heures	
Rôti de couronne de côte	1,36 - 2,26 kg / 3-5 lbs.		1 - 1½ heures	1½ heures

FRUITS DE MER	TAILLE	Saignant - 54 °C / 130 °F	À point - 60 °C / 140 °F	Bien cuit - 82 °C / 180 °F
Poisson (entier)	0,5 kg / 1 lb. 0,9 - 1,1 kg / 2 - 2½ lbs. 1,4 kg / 3 lbs.			Gril 10 - 20 minutes Gril 20 - 30 minutes Gril 30 - 45 minutes
Poisson (filets)	0,6-1,3 cm / ¼" - ½"			Gril 3 - 5 minutes jusqu'à ce que le poisson s'émiette
Queue de homard	0,15 kg / 5 onces 0,3 kg / 10 onces			Gril 5 - 6 minutes Gril 10 - 12 minutes

GIBIER SAUVAGE	TAILLE	Saignant - 60 °C / 140 °F	À point - 71 °C / 160 °F	Bien cuit - 77 °C / 170 °F
Rôti (frais)	2,26 - 2,72 kg / 5-6 lbs.		1 - 1½ heures	1½ - 2 heures
Grandes coupes (frais)	3,62 - 4,53 kg / 8-10 lbs.		1 heure	1½ heures

CONSEILS ET TECHNIQUES

Suivez ces conseils et techniques utiles, transmis par des propriétaires de Louisiana Grills®, notre personnel et clients comme vous, afin de vous familiariser avec votre gril:

1. SÉCURITÉ ALIMENTAIRE

- Garder propre tout ce qui se trouve dans la cuisine et dans la surface de cuisson. Utilisez un plat et des ustensiles différents pour la viande cuite et pour préparer ou transporter la viande crue sur le gril. Ceci permettra d'éviter toute contamination croisée des bactéries. Chaque marinade ou sauce pour badigeonner devrait avoir son propre ustensile.
- Gardez les aliments chauds au chaud (au-dessus de 60°C / 140°F) et gardez les aliments froids au froids (moins de 3°C / 37°F).
- Une marinade ne devrait jamais être conservée pour une utilisation ultérieure. Si vous comptez l'utiliser pour la servir avec votre viande, assurez-vous de la faire bouillir avant de servir.
- Les aliments cuits et les salades ne devraient pas être laissés dehors dans la chaleur pendant plus d'une heure. Ne laissez pas les aliments chauds à l'extérieur du réfrigérateur pendant plus de deux heures.
- Décongeler et mariner les viandes par réfrigération. Ne décongelez pas la viande à température ambiante ou sur le comptoir. Les bactéries peuvent grandir et se multiplient rapidement dans les aliments chauds et humides. Lavez-vous bien les mains avec de l'eau tiède savonneuse avant de commencer à préparer votre plat, et après avoir manipulé de la viande fraîche, du poisson et de la volaille.

2. PRÉPARATION DE CUISSON

- Soyez préparé ou **Mise en place**. Ceci fait référence à la préparation de la recette, le combustible, les accessoires, les ustensiles et tous les ingrédients dont vous aurez besoin à côté du gril avant de commencer la cuisson. Aussi, lisez la recette complète, du début à la fin, avant d'allumer le gril.
- Un tapis protecteur pour BBQ peut être très utile. En raison des accidents qui surviennent en raison de la manipulation des aliments et des différents styles de cuisson, ce tapis aidera à protéger les dalles de votre patio ou de votre terrasse contre tout risque de tache de graisse ou déversements accidentels

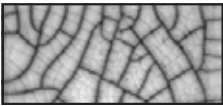
3. CONSEILS ET TECHNIQUES DE GRILLADE

- Pour infuser plus de saveur fumée et gardez vos viandes juteuses, cuisez-les plus longtemps à une température plus basse (également connu sous le nom de **faible et lent**). La viande fermera ses fibres après avoir atteint une température interne de 49°C (120°F). La pulvérisation en brouillard et l'épandage sont d'excellents moyens permettant d'éviter que la viande ne se dessèche.
- Lorsque vous saisissez vos viandes, cuisinez toujours avec le couvercle fermé. Utilisez toujours un thermomètre à viande pour évaluer la température interne des aliments que vous cuisinez. Fumer la nourriture fait rosir la viande et la volaille. **La bande rose** (après la cuisson) est aussi appelée anneau de fumée et est très appréciée par les chefs de plein air.
- Il est fortement recommandé d'appliquer les sauces à base de sucre vers la fin de la cuisson pour éviter les brûlures et flambées.
- Laissez un espace de dégagement entre les aliments pour une bonne circulation de la chaleur. Beaucoup d'aliments sur une grille de cuisson encombrée prendront plus de temps à cuire.
- Utilisez des pinces avec une longue poignée pour retourner toutes les viandes et des spatules pour retourner les burgers et le poisson. L'utilisation d'un ustensile perçant, comme une fourchette, permet de piquer la viande et de laisser s'évacuer les jus.
- Les aliments dans des casserole profondes nécessitent plus de temps pour cuire que dans une poêle peu profonde.
- C'est une bonne idée de mettre les aliments grillés sur une grande assiette préchauffée pour garder vos aliments chauds. Les viandes rouges comme les steaks et rôtis seront meilleurs si vous les laissez reposer pendant quelques minutes avant de les servir. Ceci permet aux jus délicieux que la chaleur a fait remonter à la surface de retourner au centre et de lui donner plus de saveur.

DÉPANNAGE

Un bon nettoyage et un bon entretien, ainsi que le fait d'utiliser du combustible propre, sec et de qualité aidera à prévenir la plupart des problèmes de fonctionnement du gril. Toutefois, quand votre gril au charbon de bois Louisiana Grills® ne fonctionne pas bien ou moins fréquemment, les conseils de dépannage suivants peuvent être utiles. Pour les FAQ, rendez-vous sur www.louisiana-grills.com. Vous pouvez également contacter votre revendeur agréé local Louisiana Grills® ou contacter le Service à la clientèle pour obtenir de l'aide.

AVERTISSEMENT : AVERTISSEMENT: Assurez-vous que le gril est complètement refroidi avant toute inspection, nettoyage, entretien ou travaux d'entretien. Le non-respect peut entraîner des blessures graves ou endommager votre appareil.

PROBLÈME	CAUSE	SOLUTION
Le gril ne s'allume pas	Les événements d'aération sont fermés, manque d'air	Assurez-vous que les deux ouvertures de ventilation supérieure et inférieure sont ouvertes. Le feu a besoin d'oxygène pour être capturé. Une fois qu'il a attrapé, laissez l'événement du fond et le couvercle ouvert pendant environ 10 minutes pour construire un petit lit de braises chaudes.
	Carburant incorrect utilisé	Cette grille nécessite l'utilisation de charbon de bois en morceaux. Suivez la procédure d'allumage pour continuer à utiliser le gril; Toutefois, appelez le service clientèle pour obtenir de l'aide si nécessaire.
Le gril n'atteindra pas ou ne maintiendra pas la température stable	Grill devient trop chaud	Fermez le couvercle, surtout fermez les deux événements, et laissez le barbecue étouffer avec le manque d'oxygène. Pour la cuisson à basse température, utilisez moins de carburant.
	Le gril ne devient pas assez chaud	Vérifiez le niveau de carburant. Le gril peut rapidement perdre feu s'il n'y a pas assez de charbon dans le corps en céramique. L'utilisation recommandée de charbon de bois est un maximum de 1,81 kg / 4 lb par brûlure. Ajouter plus de carburant et laisser les deux ouvertures complètement ouvertes. Plus de débit d'oxygène permettra au feu d'augmenter, brûler plus de charbon de bois en bloc.
	Débit d'air insuffisant à travers le corps en céramique	Vérifiez l'événement du registre inférieur pour l'accumulation de cendres ou les obstructions. Suivez les instructions d'entretien et d'entretien pour l'accumulation de cendres. Vérifiez l'événement du registre supérieur et assurez-vous qu'il fonctionne correctement et que le flux d'air n'est pas bloqué. Suivez les instructions d'entretien et de maintenance si elles sont sales. Une fois que toutes les étapes ci-dessus ont été faites, allumer la grille et effectuer une brûlure.
Embrassements fréquents	Température de cuisson trop élevée	Essayez de faire cuire à une température plus basse. La graisse a un point d'éclair. Maintenez la température sous 176 ° C / 350 ° F lors de la cuisson d'aliments très gras.
	Graisse s'accumule sur les composants de cuisson	Suivez les instructions d'entretien et de maintenance .
	Besoin de roter le couvercle du barbecue	Pour éviter les retours de courant ou les poussées qui peuvent causer des blessures, il est conseillé de soulever légèrement le couvercle (également connu sous le nom de rots), ce qui permet à l'air d'entrer lentement et en toute sécurité.
L'amortisseur inférieur ne glissera pas	Amortisseur coincé sur les cendres	Appuyez légèrement sur l'amortisseur avec un marteau en caoutchouc pour desserrer. Suivez les instructions d'entretien et de maintenance . Si aucune amélioration, appelez le service clientèle.
Finition sur l'unité	La finition est ébréchée	La finition de votre unité peut ébrécher la céramique, mais cela n'affecte pas la performance ou la durée de vie de votre unité. Si l'écaillage est important, appelez le service clientèle.
	Motif de toile d'araignée de craquage	Ce n'est pas la fissuration de la céramique. Ceci est connu sous le nom de fendillement et est causé par les différents taux de dilatation entre la finition glaçure et l'argile. Le motif de fissuration de la toile d'araignée est différent d'une rupture de l'aspect qui ne peut être ressentie à la surface, à moins d'utiliser un ongle; cependant, il devient plus apparent visuellement quand la surface est poussiéreuse ou agrandie. Suivez les instructions d'entretien et de maintenance . Bien que ces fissures puissent apparaître comme des imperfections, le fendillement n'affecte pas la performance ou la durée de vie de votre barbecue à charbon de bois; par conséquent, ce n'est pas un problème de garantie.
		
Le couvercle est coincé	Unité non traitée correctement	Traiter votre barbecue à charbon en céramique est important pour son fonctionnement et son entretien à long terme. Si les premières brûlures sont trop chaudes, ils pourraient endommager le feutre joint d'étanchéité avant qu'il ait eu la chance de mûrir avec l'utilisation. Si le couvercle est coincé ou scellé avec la base, utilisez un couteau pour ouvrir et retirer le joint en feutre qui coupe l'ouverture du couvercle. Une fois enlevé, vous serez en mesure d'ouvrir le couvercle. Avant de continuer à utiliser l'unité, remplacez le joint en feutre à haute température, qui peut être acheté à votre magasin de cheminée local.

GARANTIE

CONDITIONS

Tous les grils en céramique de Louisiana Grills®, fabriquées par Dansons, contiennent une garantie limitée à partir de la date de vente par le propriétaire initial. La garantie entre en vigueur la date d'achat, et une preuve de la date d'achat ou copie de votre achat de vente original est requise pour valider la garantie. Si le client n'est pas en mesure de produire une preuve de l'achat ou si la date de couverture de la garantie est dépassée, il sera tenu de payer les pièces, l'expédition et la main-d'œuvre.

Dansons offre une garantie limitée à vie sur toutes les pièces en céramique utilisées pour la fabrication du barbecue à charbon en céramique. Dansons garantit que toutes les pièces sont exemptes de tout défaut de matériaux et de fabrication pour la durée d'utilisation et de propriété de l'acheteur initial. La garantie à vie ne couvre pas les dommages causés par l'usure, tels que les rayures, les bosses, les coups, les ébréchures et les fissures cosmétiques mineures. Ces changements esthétiques du barbecue n'affectent pas sa performance. Lors de l'inspection de près, la finition du barbecue à charbon en céramique peut sembler avoir des lignes de fissure. Ce n'est pas la fissuration de la céramique. Le faïençage est causé par les différents taux de dilatation entre l'arrivée de glaçure et l'argile. Ce motif de toile d'araignée de craquage est différent d'un bris dans l'aspect qu'il ne peut pas faire sentir à la surface, à moins d'utiliser un ongle; cependant, il ne devient plus évident lorsque la surface est sale ou agrandie. Alors qu'il peut être perçu comme une imperfection, le faïençage n'affecte pas la performance ou la longévité de votre barbecue à charbon en céramique; par conséquent, il n'est pas un problème de garantie. Pendant la durée de la garantie limitée, l'obligation de Dansons doit être limitée au remplacement des pièces défectueuses couvertes, franco bord à partir du point d'expédition.

Dansons offre une garantie de cinq ans sur toutes les pièces en métal et en fonte utilisées pour la fabrication du barbecue à charbon en céramique. Dansons garantit que toutes les pièces sont exemptes de tout défaut de matériaux et de fabrication pour la durée d'utilisation et de propriété de l'acheteur initial. Des températures élevées, une humidité excessive, le chlore, les émanations d'origine industrielle, les produits chimiques, les engrais, les pesticides pour la pelouse et le sel sont quelques-unes des substances qui peuvent endommager les pièces métalliques. Pour ces raisons, la garantie **ne couvre pas la rouille ou l'oxydation**. Même avec ces mesures, la protection du barbecue à charbon en céramique peut être compromise par des substances et conditions diverses qui échappent au contrôle de Dansons.

Dansons comporte une garantie de un an sur toutes les composantes en plastique et en composite, le thermomètre, et les roues pivotantes utilisées dans la fabrication du barbecue au charbon en céramique. La garantie à vie ne couvre pas les dommages causés par l'usure, tels que les rayures, les bosses, les coups, les ébréchures et les fissures cosmétiques mineures. Ces changements esthétiques du barbecue n'affectent pas sa performance. La réparation ou le remplacement de toute pièce ne dépasse pas la garantie limitée. Pendant la période de la garantie limitée, l'obligation de Dansons sera limitée à fournir le remplacement des composants couverts et/ou défectueux. Tant que cela se produit pendant la période de la garantie, Dansons ne vous facturera pas sur la réparation ou le remplacement des pièces retournées, le port-payé, si Dansons détermine que ces pièces se révèlent défectueuses après inspection. Dansons ne sera pas tenu responsable des frais de transport, du coût salarial ou des droits d'exportation. Sauf disposition contraire dans ces conditions de garantie, la réparation ou le remplacement des pièces de la façon et pour la durée fixée ci-dessous, remplira le devoir de toutes les responsabilités et obligations directes et dérivées de Dansons envers vous.

Les garanties s'appliquent à un usage domestique et utilisation normale du gril et aucune des garanties limitées ne s'applique à un gril utilisé pour des applications commerciales.

ANNULATION DE LA GARANTIE

L'utilisation ou l'usage abusif de ce produit à des fins autres que celles pour lesquelles il est conçu annulera la garantie. Les dommages causés par une utilisation, un assemblage, un entretien ou une installation inadéquats ne sont pas couverts. Le versement de liquide d'allumage ou tout autre liquide sur votre barbecue annulera cette garantie. Cela pourrait provoquer des dommages ou des blessures graves à l'utilisateur du barbecue à charbon en céramique, et entraîner des dommages excessifs au barbecue et à ses nombreux composants et pièces. Cette garantie ne s'applique que si le barbecue à charbon en céramique est acheté auprès d'un concessionnaire autorisé. L'achat de tout produit par un tiers, ou un concessionnaire non agréé annulera la garantie. Seuls les concessionnaires et les détaillants sélectionnés ont la permission, donnée par Dansons, de vendre les barbecues au charbon de bois en céramique.

EXCEPTIONS

Il n'existe pas de garantie de performance écrite ou implicite sur les appareils Louisiana Grills®, car le fabricant ne contrôle pas l'installation, le fonctionnement, le nettoyage, l'entretien ou le type de combustible brûlé. La garantie limitée ne s'appliquera pas, et Dansons n'assumera aucune responsabilité, si votre appareil n'a pas été installé, opéré, nettoyé et entretenu conformément aux instructions du fabricant. Toute utilisation de gaz non précisée dans ce manuel peut annuler la garantie. La garantie ne couvre pas les dommages ou ruptures causées par une mauvaise utilisation, mauvaise manutention ou des modifications.

Dansons et les fournisseurs autorisés Louisiana Grills®, déclinent toute responsabilité, légale ou autre, quant aux dommages accidentels ou consécutifs à la propriété ou aux personnes résultant de l'utilisation de ce produit. Si une réclamation est retournée contre Dansons basée sur la violation de cette garantie ou de tout autre type de garantie explicite ou implicite en droit, le fabricant ne sera en aucun cas tenu responsable des dommages-intérêts spéciaux, punitifs ou indirects de quelque nature que ce soit en surplus du prix d'achat original de ce produit. Toutes les garanties du fabricant sont énoncées ici et aucune réclamation ne sera effectuée contre le fabricant par le biais d'une garantie ou de représentation.

Certaines provinces n'autorisent pas l'exclusion ou la limitation des dommages accidentels ou consécutifs, ou les limitations des garanties implicites, de sorte qu'il est possible que les exclusions et limitations énoncées dans cette garantie limitée ne s'appliquent pas à vous. Cette garantie limitée vous donne des droits légaux spécifiques, et vous pourriez aussi avoir d'autres droits légaux qui pourront varier selon l'état ou la province.

Nos articles sont offerts avec des garanties qui ne peuvent connaître d'exclusions au regard de la loi australienne sur la protection des consommateurs. Vous avez droit au remplacement ou au remboursement en cas de défaillance majeure de votre article ainsi qu'à une compensation en cas de perte ou de dommage prévisible. Vous avez aussi droit à la réparation ou au remplacement de l'article s'il n'est pas d'une qualité acceptable et que la défaillance n'est pas majeure.

COMMANDE DE PIÈCES DE REMPLACEMENT

Pour commander des pièces de rechange, contactez votre revendeur local Louisiana Grills® ou visitez notre boutique en ligne à l'adresse suivante : www.louisiana-grills.com

APPELEZ LE SERVICE À LA CLIENTÈLE

Si vous avez des questions ou des problèmes, contactez le service à la clientèle.

service@louisiana-grills.com | États-Unis: (480) 923-9632 | Canada (Sans Frais) : 1-877-942-2246

SERVICE DE GARANTIE

Appelez votre fournisseur de Louisiana Grills® le plus proche pour une réparation ou un remplacement de vos pièces. Dansons exige une preuve d'achat pour établir une réclamation sous garantie; Conservez donc votre reçu ou facture originale pour référence future. Le numéro de série et de modèle de votre Louisiana Grills® se trouve à l'arrière de la charnière. Enregistrez les numéros ci-dessous, car l'étiquette peut s'user ou devenir illisible.

MODÈLE

NUMÉRO DE SÉRIE

DATE D'ACHAT

CONCESSIONNAIRE AUTORISÉ

RECETTES

STEAKS GRILLÉS À LA PERFECTION

Donne 2 à 4 portions

Ingrédients :

- 2 faux filets de steaks (3 cm / 1¼ pouces d'épaisseur)
assaisonnement Louisiana Grills Chop House Steak Rub

Préparation :

1. Au plus tard une heure avant de les faire griller, laisser reposer les steaks à la température ambiante.
2. Saupoudrez généreusement le Louisiana Grills Chop House Steak Rub sur les deux côtés de chaque steak, tout en laissant le temps au mélange de fondre dans la viande.
3. Allumer le barbecue à charbon de bois en céramique à 205 °C / 400 °F. Placer directement les steaks sur le gril. Pour un steak à point, saisir chaque côté pendant 5 à 7 minutes en retournant les steaks une seule fois. Ajuster le temps en fonction de votre degré de cuisson désiré.
4. Retirer les steaks du gril, couvrir avec du papier d'aluminium et laisser reposer pendant 10 minutes avant de les découper et de les servir.

REMARQUE : Utilisez des pinces pour retourner les steaks. Ne pas retourner les steaks à l'aide d'une fourchette ou découper la viande avant qu'elle ne soit prête à être servie. Toute découpe ou perforation dans la viande pourrait laisser sortir le jus de votre steak et le rendre sec.

AILES DE POULET GRILLÉES LÉGÈREMENT PIQUANTES

Donne 2 à 4 portions

Ingrédients :

- 16 d'ailer de poulet entières (510 g / 18 oz.)
75 ml / 5 c. à s. jus de lime
45 ml / 3 c. à s. *assaisonnement Louisiana Grills Sweet Heat Rub & Grill*

Préparation :

1. Rincer les ailes de poulet à l'eau froide et les sécher avec du papier absorbant. Dans un plat de cuisson, répartir les ailes en long. Arroser les ailes uniformément de jus de lime.
2. Saupoudrer l'assaisonnement Louisiana Grills Sweet Heat Rub & Grill sur les ailes, tout en retournant les ailes pour les enduire de manière égale.
3. Allumez votre barbecue à charbon de bois en céramique à 177 °C / 350 °F. Placez le déflecteur de chaleur dans le barbecue et déposer la grille par dessus le déflecteur de chaleur.
4. Déposer les ailes directement sur la grille. Les faire griller à feu indirect jusqu'à ce qu'elles deviennent croustillantes, environ 20

à 25 minutes de chaque côté.

5. Transférer les ailes dans un grand plat et servir avec votre sauce à trempette préférée.

FAJITAS DE BAVETTES GRILLÉES

Donnes 4 à 6 portions

Ingrédients :

- 1 bavette (450 g / 16 onces)
30 ml / 2 c. à s. *assaisonnement Louisiana Grills Sweet Heat Rub & Grill*
45 ml / 3 c. à s. d'huile d'olive, divisées
1 poivron rouge
coupé en deux, sans tige, épépiné
1 poivron jaune
coupé en deux, sans tige, épépiné
1 poivron vert
coupé en deux, sans tige, épépiné
1 oignon doux
gros, coupé en tranches, épaisses
8 tortillas de maïs

Les extras :

- sauce
guacamole
crème sûre
fromage cheddar râpé
laitue iceberg tranchée finement

Préparation :

1. Enduire la bavette d'une cuillerée à soupe d'huile d'olive et d'assaisonnement Louisiana Grills Sweet Heat Rub & Grill. Recouvrir et faire mariner dans le réfrigérateur pendant 1 heure.
2. Badigeonner les poivrons et l'oignon d'huile d'olive.
3. Allumer le barbecue à charbon de bois en céramique à 205 °C / 400 °F. Placer les poivrons et l'oignon sur le gril et faire cuire pendant 5 minutes de chaque côté. Surveillez attentivement pour vérifier que les poivrons et l'oignon ne brûlent pas.
4. Retirer les poivrons et l'oignon du gril et mélanger légèrement avec l'huile d'olive restante dans un bol moyen. Transférez les poivrons et l'oignon sur une planche à découper et taillez-les en lamelles. Laisser reposer.
5. Placer la bavette directement sur le gril. Faire cuire à point, environ 4 minutes de chaque côté, ou jusqu'à ce que la viande atteigne une température interne de 74 °C / 165 °F.
6. Retirer la bavette du gril et transférer sur une planche à découper. Laisser reposer la viande pendant 5 minutes puis la trancher en lamelles dans le sens contraire des fibres.
7. Placer la bavette, les poivrons et oignons dans un grand plat et servir immédiatement avec tortillas chaudes, sauce, guacamole, crème sûre, fromage râpé, laitue iceberg tranchée finement et vos garnitures pour fajita préférées.

TACOS MAHI MAHI NOIRCIS ACCOMPAGNÉS D'UNE SAUCE À LA MANGUE, MANDARINE ET HABANERO

Donnes 4 à 6 portions

Ingredients :

4	filets de mahi-mahi (170 g / 6 onces)
30 ml / 2 c. à s.	<i>assaisonnement Louisiana Grills Mandarin Habanero</i>
30 ml / 2 c. à s.	d'huile d'olive
475 ml / 2 t.	chou rouge coupé finement
235 ml / 1 t.	crème sûre
12	petites tortillas de maïs

Salsa mangue, mandarine et habanero :

2	mangues, pelées et découpées en dés
15 ml / 1 c. à s.	<i>assaisonnement Louisiana Grills Mandarin Habanero</i>
30 ml / 2 c. à s.	jus de lime
80 ml / 1/3 t.	d'oignon rouge découpé en dés
60 ml / 1/4 t.	coriandre fraîche hachée

Préparation :

1. Rincer les filets de mahi-mahi à l'eau froide et les sécher avec du papier absorbant. Enduire les filets d'huile d'olive, saupoudrer ensuite l'assaisonnement Louisiana Grills Mandarin Habanero de chaque côté des filets tout en faisant pénétrer. Laisser reposer.
2. Préparer la sauce à la mangue, mandarine et habanero en mélangeant tous les ingrédients dans un bol moyen, en remuant légèrement. Laisser reposer.
3. Allumer le barbecue à charbon de bois en céramique à 205 °C / 400 °F. Placer directement les filets de mahi-mahi sur le gril et faire cuire de chaque côté pendant 5 à 7 minutes.
4. Retirer les mahi-mahi du gril et laisser reposer pendant 5 minutes avant de les déchirer en petits morceaux.
5. Retirer soigneusement la grille de cuisson du barbecue à l'aide de gants de cuisine ou de pinces pour le gril. Remplacer la grille de cuisson avec un déflecteur de chaleur et placer les tortillas sur le déflecteur de chaleur, faire cuire pendant 30 secondes à 1 minute ou jusqu'à ce qu'elles deviennent tièdes mais pas trop chaude.
6. Empiler les tortillas par deux. Répartir le poisson de manière égale entre chaque ensemble de tortillas. Recouvrir de chou rouge, crème sûre et sauce à la mangue.
7. Servir immédiatement.

BROCHETTES DE PORC CHIPOTLE À LA FRAMBOISE

Donne 4 à 8 portions

Ingredients :

450 g / 16 oz.	longe de porc désossée, coupée en cubes (2,5 cm / 1 po.)
30 ml / 2 c. à s.	<i>assaisonnement Louisiana Grills Raspberry Chipotle</i>
15 ml / 1 c. à s.	d'huile d'olive
15 ml / 1 c. à s.	de miel
30 ml / 2 c. à s.	vinaigre de cidre de pomme
3	poivrons, plusieurs couleurs, découpés en dés (2,5 cm / 1 po.)
1	oignon rouge, coupé en morceaux
8	brochettes en métal ou en bois (30 cm / 12 po.)

Préparation :

1. Dans un bol moyen, fouetter ensemble le vinaigre de cidre de pomme, l'assaisonnement Louisiana Grills Raspberry Chipotle, l'huile d'olive et le miel. Ajouter les cubes de longe de porc à la marinade, mélanger et laisser de côté. Couvrir de pellicule plastique et laisser mariner pendant 30 minutes à 1 heure.
2. Une fois la viande marinée, la retirer de la marinade et enfiler les cubes de longe de porc sur les brochettes en alternant avec les morceaux de poivrons et d'oignon rouge.
3. Allumer le barbecue à charbon de bois en céramique à 205 °C / 400 °F. Faire griller les brochettes directement sur le gril, en les retournant régulièrement, jusqu'à ce que tous les côtés de la viande soient dorés et que les légumes soient tendres (environ 15 minutes).
4. Servir immédiatement.

REMARQUE : Si vous utilisez des brochettes en bois, trempez-les dans l'eau pendant 30 à 45 minutes avant de les utiliser.

INFORMACIÓN DE SEGURIDAD

LOS DEFECTOS EN EL MANTENIMIENTO Y EL INCUMPLIMIENTO DE LAS DISTANCIAS REQUERIDAS ENTRE EL APARATO Y LOS MATERIALES COMBUSTIBLES SON CAUSAS IMPORTANTES DE INCENDIOS. ES DE LA MAYOR IMPORTANCIA QUE ESTE PRODUCTO SOLAMENTE SE UTILICE DE ACUERDO CON ESTAS INSTRUCCIONES.

Por favor lea y comprenda este manual en su totalidad antes de intentar armar, utilizar o instalar el producto. Esto garantizará que pueda utilizar su nuevo asador de la manera más agradable y sin problemas. También le recomendamos conservar este manual para referencia futura.

PELIGROS Y ADVERTENCIAS

Debe comunicarse con su asociación local de vecinos, funcionarios de construcción o control de incendios, o con la autoridad competente, para obtener los permisos y la información necesarios sobre restricciones de instalación, como la instalación de un asador en una superficie combustible, los requisitos de inspección, o incluso la capacidad de usarlo, en su región.

1. Es necesario mantener un espacio libre mínimo de 2m (78 inches) entre materiales combustibles y los costados del asador. **No instale el aparato en pisos incombustibles, o en pisos protegidos con superficies incombustibles, a menos que se obtengan las autorizaciones y los permisos apropiados de las autoridades competentes.** Este electrodoméstico no debe colocarse debajo del techo, toldo, toldos, sombrilla o cenador. No lo use en plataformas ni en ninguna otra superficie combustible, como pasto seco, astillas de madera, mantillo de hojas o corteza decorativa. No use este producto en una tienda de campaña, caravana, automóvil, bodega, desván o bote. Mantenga su asador en un área despejada y libre de materiales combustibles, gasolina y otros vapores y líquidos inflamables.

En caso de un fuego de grasa, dejar la tapa cerrada hasta que se apague el fuego. No arroje agua sobre la unidad. No trate de sofocar el fuego. Es muy recomendable mantener cerca un extintor de incendios aprobado para todo tipo de fuego (clase ABC). Si ocurre un incendio sin control, llame al Departamento de Bombero.

2. No use esta unidad de cerámica como un horno. Este producto está destinado solo para uso en exteriores. No lo use en interiores.

RIESGO DE INCENDIO: puede emitir brasas cuando está en uso. No transporte su parrilla mientras está en uso o mientras la parrilla está caliente. Asegúrese de que el fuego esté completamente apagado y de que la parrilla esté completamente fría al tacto antes de moverla.

3. Este producto se calentará mucho y se pueden producir lesiones graves. Nunca dejes desatendida una hoguera. Mantenga alejados a los niños pequeños y las mascotas mientras esté en uso. Se recomienda el uso de guantes o guantes de parrilla resistentes al calor cuando se opera la parrilla. No use accesorios no especificados para usar con este electrodoméstico.

No se recomienda que usen este aparato los niños, las personas con capacidades físicas, sensoriales o mentales reducidas, o que no tengan suficiente experiencia y conocimientos, a menos que sean supervisados o instruidos por una persona responsable de su seguridad.

4. Después de un período de almacenamiento, o no uso, inspeccione la unidad antes de usarla para detectar fatiga y daños, y reemplace cuando sea necesario. Limpiar antes de usar. Si la parrilla se almacena en el exterior durante la temporada de lluvias o en temporadas de alta humedad, la unidad debe secarse antes de realizar cualquier servicio o mantenimiento. Use una cubierta para parrilla, si está disponible.
5. Se recomienda encarecidamente que use carbón en bloque en su parrilla cerámica. Se quema durante más tiempo y produce menos cenizas, lo que puede restringir el flujo de aire. No use carbón en este producto. Carbón no incluido.

No use licores, petróleo, gasolina, líquido de encendedores o queroseno para encender o avivar el fuego en su asador. Mantenga estos líquidos lejos del aparato mientras lo utiliza.

ELIMINACIÓN DE LAS CENIZAS

Las cenizas deben ser colocadas en un recipiente metálico con una tapa hermética. El recipiente cerrado de cenizas debe colocarse en un piso no combustible o en el suelo, lejos de todos los materiales combustibles, hasta su eliminación definitiva. Cuando elimine las cenizas enterrándolas en la tierra o dispersándolas, debe conservarlas en un recipiente cerrado hasta que todas las brasas se hayan enfriado por completo.

MONÓXIDO DE CARBONO (“EL ASESINO SILENCIOSO”)

El monóxido de carbono es un gas incoloro, inodoro e insípido que se produce al quemar gas, madera, propano, carbón y otros combustibles. El monóxido de carbono reduce la capacidad de la sangre para transportar oxígeno. Los niveles bajos de oxígeno en la sangre pueden causar dolor de cabeza, mareos, debilidad, náuseas, vómitos, somnolencia, confusión, pérdida de la conciencia y muerte. Siga estas instrucciones para evitar que este gas incoloro e inodoro lo intoxique a usted, a su familia o a otras personas:

- Consulte a un médico si usted u otras personas presentan síntomas de resfriado o gripe mientras cocinan o en los alrededores del aparato. La intoxicación por monóxido de carbono, que puede confundirse fácilmente con gripe o resfriado, con frecuencia se detecta demasiado tarde.
- El consumo de alcohol y drogas aumentan los efectos de la intoxicación por monóxido de carbono.

El monóxido de carbono es especialmente tóxico para madres e hijos durante el embarazo, así como para los bebés, los ancianos, los fumadores y las personas con problemas de la sangre y el sistema circulatorio, como anemia o enfermedades cardíacas.



AVISO DE DERECHOS DE AUTOR

Copyright 2021 Todos los derechos reservados. Ninguna parte de este manual puede ser copiada, transmitida, transcrita o almacenada en un sistema de respaldo, en ninguna forma y por ningún medio, sin el permiso explícito por escrito de,

Dansons

8877 North Gainey Center Drive, Scottsdale, AZ, USA 85258
sales@louisiana-grills.com | service@louisiana-grills.com
www.louisiana-grills.com

EE.UU: (480) 923-9632 | Canada (Gratuita): 1-877-942-2246

ÍNDICE

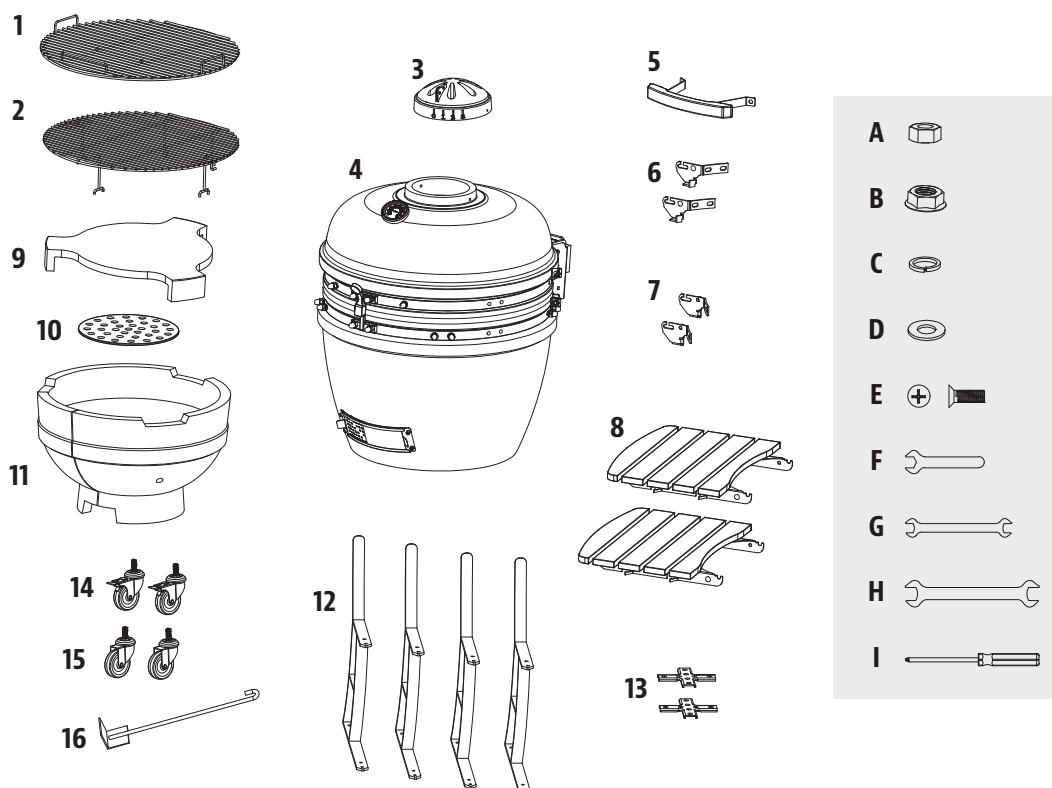
Información de seguridad	38	Cuidado y mantenimiento	47
Partes y especificaciones	41	Lineamientos para cocinar	48
Preparación del ensamblaje	42	Consejos y técnicas	50
Instrucciones de ensamblaje		Solución de problemas	51
Fijación de las ruedas pivotantes	42	Garantía	
Armar el carrito	42	Condiciones	52
Colocar el cuerpo de cerámica sobre el carrito	43	Anulación de garantía	52
Sujetar el regulador superior	43	Excepciones	53
Instalar los soportes de la repisa lateral	43	Cómo ordenar refacciones	53
Montar las repisas laterales	43	Contacto con servicio al cliente	53
Sujetar la manija de la tapa	44	Servicio bajo garantía	53
Instalación de los componentes para cocinar	44	Recetas	54
Instrucciones de operación			
Introducción a la parrilla de cerámica	45		
Comprensión del flujo de aire y el control del amortiguador ..	45		
Primer uso - "quemado" del asador	45		
Precalentamiento	46		
Procedimiento de encendido	46		
Procedimiento para agregar combustible	46		
Apagar su asador	46		

PARTES Y ESPECIFICACIONES

N.º de referencia	Descripción
1	Rejilla de cocción principal (x1)
2	Rejilla de cocción elevada (x1)
3	Regulador superior (x1)
4	Cuerpo cerámico (x1)
5	Manija para la tapa (x1)
6	Soporte del estante izquierdo (x2)
7	Soporte del estante derecho (x2)
8	Repisas laterales (x2)
9	Deflector de calor (x1)
10	Bandeja para carbón vegetal (x1)
11	Caja de combustión (x1)
12	Soporte de apoyo (x4)
13	Travesaño (x2)

N.º de referencia	Descripción
14	Bloqueo de las ruedas (x2)
15	Rueda (x2)
16	Herramienta para cenizas (x1)
A	Tuercas - pequeño (x16)
B	Tuercas - grande (x4)
C	Arandelas de retención (x16)
D	Arandelas (x16)
E	Tornillos (x16)
F	llave inglesa plana (x1)
G	llave inglesa 20 mm (x1)
H	llave inglesa 22 mm (x1)
I	Destornillador (x1)

NOTA: debido a que el producto está en desarrollo constante, las piezas están sujetas a cambios sin previo aviso. Póngase en contacto con el equipo de Atención al Cliente si durante el montaje de la unidad observa que falta alguna pieza.



MODELO	UNIDAD MONTADA (AxPxP)	PESO DE LA UNIDAD	ÁREA DE COCINA
LG LGK22	1,320 x 845 x 1,150 mm / 51.9 pu x 33.2 pu x 45.2 pu	103 kg / 227.0 lb	Principal - 2,703 cm ² / 419.02 pu ² Superior - 2,478 cm ² / 384.22 pu ² TOTAL - 5,182 cm ² / 803.24 pu ²

PREPARACIÓN DEL ENSAMBLAJE

Hay partes ubicadas en toda la caja de embarque, incluso debajo del asador. Inspeccione el asador, las partes y el paquete de accesorios antes de sacarlos de la caja de embarque. Antes de ensamblar el producto, revise todas las partes y compárelas con la lista de referencia. Si hay partes faltantes o dañadas, no intente ensamblar el producto. Los daños por transporte no están cubiertos por la garantía. Comuníquese con su distribuidor o con Servicio al Cliente de Louisiana Grills® para solicitar partes.

service@louisiana-grills.com | EE.UU: (480) 923-9632 | Canada (Gratuita): 1-877-942-2246

IMPORTANTE: para facilitar la instalación y evitar lesiones, utilice dos personas cuando ensamble este electrodoméstico.

Herramientas requeridas para el ensamblaje: llave inglesa plana, llave inglesa 20 mm, llave inglesa 22 mm, destornillador. *Las herramientas están incluidas.*

INSTRUCCIONES DE ENSAMBLAJE

IMPORTANTE: Se recomienda leer cada paso en su totalidad antes de comenzar el ensamblaje. No apriete por completo los tornillos hasta que haya colocado todos los tornillos de ese paso. Las combinaciones de accesorios que incluyan una arandela de seguridad y una arandela deben instalarse con la arandela de seguridad más cerca de la cabeza del tornillo.

1. FIJACIÓN DE LAS RUEDAS PIVOTANTES

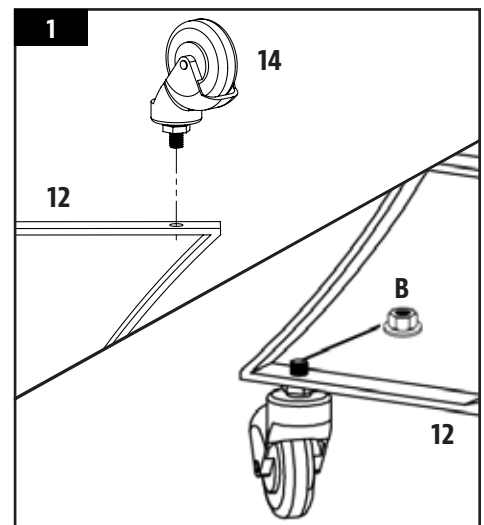
Partes requeridas:

- 4 x Soporte de apoyo (#12)
- 2 x Bloqueo de las ruedas (#14)
- 2 x Rueda (#15)
- 4 x Tuercas - grande (#B)

Instalación:

- Coloque los cuatro ruedas giratorias pre-roscaado a cada uno de los cuatro soportes de apoyo por ellos en el agujero de apriete mano. Asegure cada ruedas giratorias con tuerca grande.

NOTA: Para mantener los soportes nivelados, asegúrese de que el perno de la rueda no supere la tuerca grande.



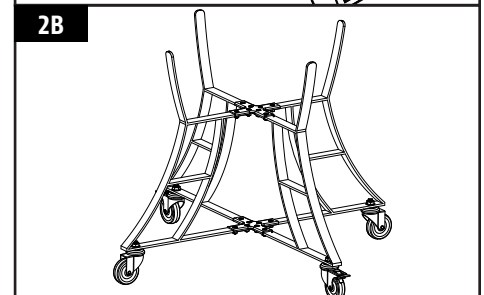
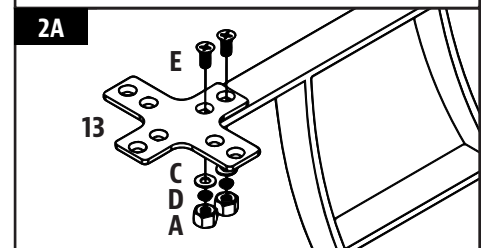
2. ARMAR EL CARRITO

Partes requeridas:

- 2 x Travesaño (#13)
- 16 x Tornillos (#E)
- 16 x Arandelas (#D)
- 16 x Arandelas de retención (#C)
- 16 x Tuercas - pequeño (#A)

Instalación:

- Para ensamblar el carrito, fije los travesaños a uno de los cuatro soportes. Asegure los soportes a los travesaños al usar los tornillos, arandelas, arandelas de retención y tuercas. Vea la posición que se muestra en 2A.
- Continúe fijando los travesaños en los otros tres soportes de soporte. El carrito ahora está completo. Nota 2B.



3. CÓMO COLOCAR EL CUERPO DE CERÁMICA SOBRE EL CARRITO

Partes requeridas:

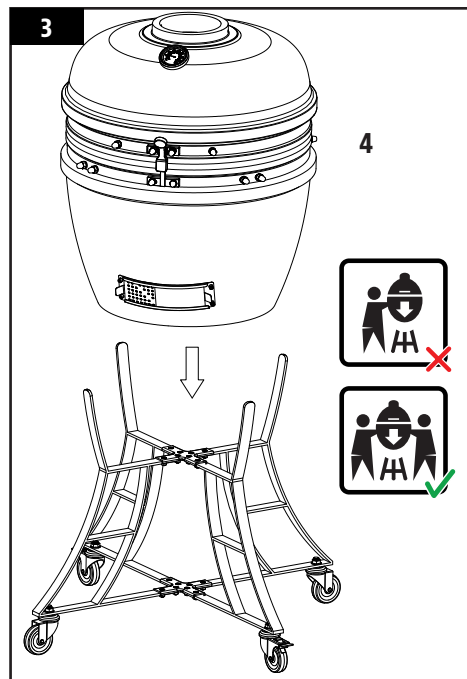
- 1 x Cuerpo cerámico (#4)

Instalación:

- Primero, quite todas las partes que están dentro del cuerpo de cerámica para facilitar la elevación. Asegúrese de que el carrito está firme y de que todos los tornillos están apretados antes de colocar la parrilla cerámica. Presione las palancas de las ruedas hacia abajo para bloquear las ruedas giratorias y así asegurar que la parrilla cerámico a carbón vegetal no pueda moverse.

¡PRECAUCIÓN! Use un mínimo de dos personas para colocar la parrilla cerámico a carbón vegetal encima del carrito. Levantar por la bisagra o las mesas laterales podría resultar en lesiones y daños al producto.

- Para colocar la cuerpo cerámico encima del carrito, Coloque una de sus manos en el conducto inferior de la parrilla cerámico a carbón vegetal y la otra debajo de la parrilla. Coloque la parrilla cerámico a carbón vegetal encima del carrito con el conducto inferior de frente al carrito permitiendo que el conducto se abra y cierre sin ninguna interrupción.



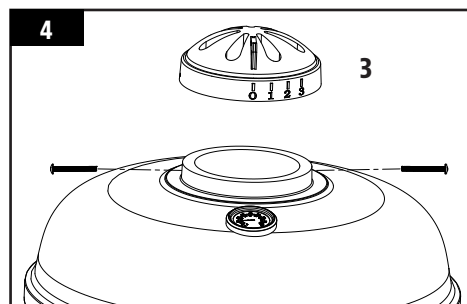
4. SUJETAR EL REGULADOR SUPERIOR

Partes requeridas:

- 1 x Regulador superior (#3)

Instalación:

- Alinee la ranura lateral con el termómetro al frente y coloque encima de la apertura superior. Asegure con el tornillos, arandelas, y tuercas ya fijados.



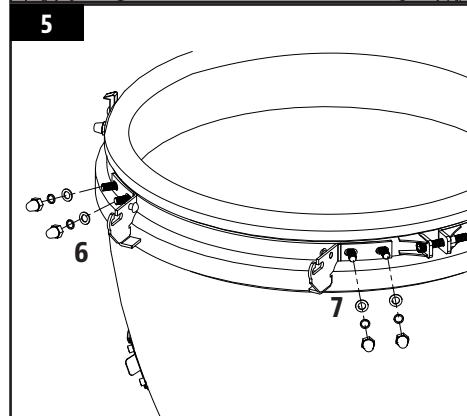
5. INSTALAR LOS SOPORTES DE LA REPISA LATERAL

Partes requeridas:

- 2 x Soporte del estante izquierdo (#6)
- 2 x Soporte del estante derecho (#7)

Instalación:

- Fije los soportes del estante del lado izquierdo al cuerpo de cerámica utilizando los tornillos preinstalados con sus arandelas correspondientes, arandelas de seguridad y tuercas en el borde.
- Repita la misma instalación para los soportes del estante del lado derecho. Apriete todos los tornillos de forma segura una vez que todos los soportes estén instalados.



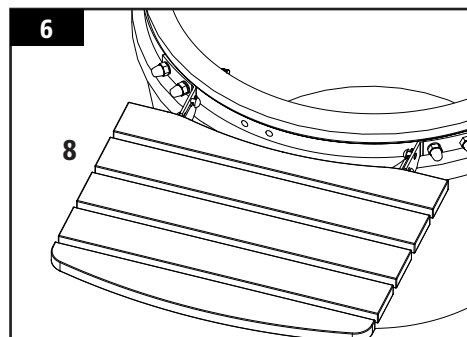
6. MONTAR LAS REPISAS LATERALES

Partes requeridas:

- 2 x Repisas laterales (#8)

Instalación:

- Inserte las bisagras de cada estante lateral en cada uno de los soportes laterales del estante en ambos lados del cuerpo de cerámica.



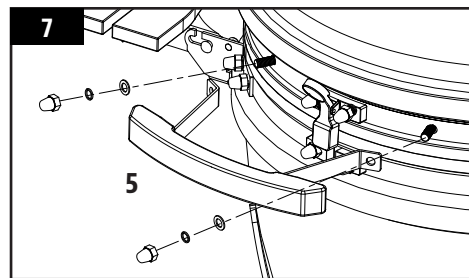
7. SUJETAR LA MANIJA DE LA TAPA

Partes requeridas:

- 1 x Manija para la tapa (#5)

Instalación:

- Conecte la manija de la tapa al cuerpo de cerámica con las arandelas de tornillos preajustadas, arandelas de seguridad y tuercas en el borde.



8. INSTALACIÓN DE LOS COMPONENTES PARA COCINAR

Partes requeridas:

- 1 x Rejilla de cocción elevada (#2)
- 1 x Rejilla de cocción principal (#1)
- 1 x Deflector de calor (#9)
- 1 x Bandeja para carbón vegetal (#10)
- 1 x Caja de combustión (#11)

Instalación:

- Abra la tapa del cuerpo de cerámica e inserte el fogón en la base del cuerpo de cerámica. La parte frontal de la cámara de combustión con el arco del borde inferior debe quedar hacia la parte frontal de la unidad, alineándose con la compuerta inferior para la limpieza de la ceniza. Nota 8A.

NOTA: La junta de expansión en la cámara de combustión se crea para tener en cuenta la expansión de la cerámica en condiciones de calor extremo. Esta grieta no es una falla en la cerámica, sino intencional en el diseño de la estructura.

- Coloque la placa de carbón para descansar en la base interior de la cámara de combustión.

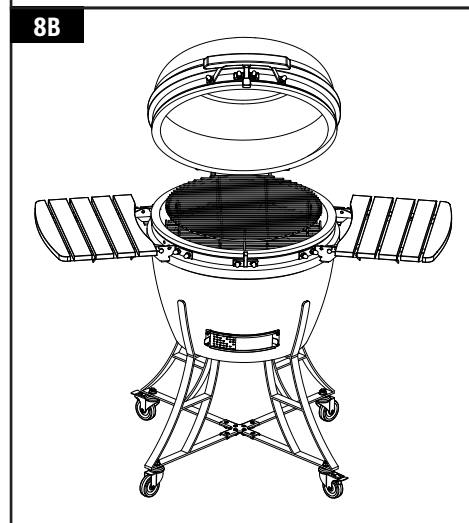
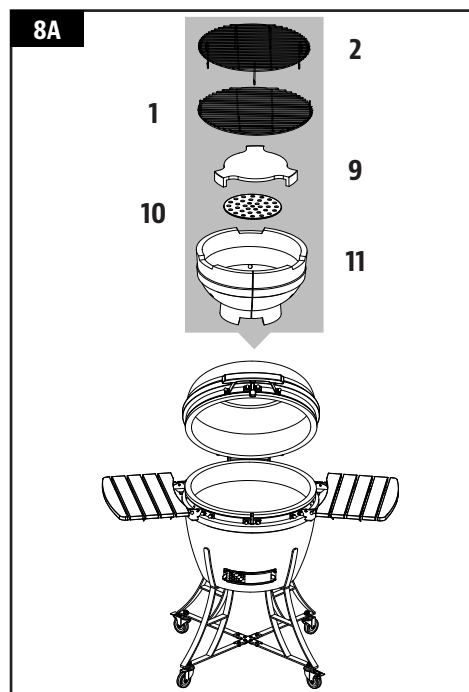
IMPORTANTE: la placa de carbón debe estar en la cámara de combustión mientras está en uso. Si falta esta parte, podría fallar la iluminación debido a la falta de oxígeno en el carbón una vez encendido.

- Coloque el deflector de calor para descansar dentro de la caja de fuego.
- NOTA: El deflector de calor se puede usar para cocinar indirectamente.** Coloque la rejilla de cocción principal dentro del cuerpo de cerámica. Coloque la rejilla de cocción superior sobre la rejilla de cocción principal.

NOTA: Para mantener el mejor desempeño en sus parrillas de cocción, es necesario darles cuidado y mantenimiento con regularidad.

- La parrilla cerámica a carbón vegetal ahora está lista para usar. Nota 8B.

IMPORTANTE: Asegúrese de que las instrucciones de curado de la unidad se lean a fondo antes de su uso.



INSTRUCCIONES DE OPERACIÓN

INTRODUCCIÓN A LA PARRILLA DE CERÁMICA

Las parrillas cerámica a carbón son sumamente versátiles. No solo se pueden usar para asar a la parrilla o ahumar, sino que en su interior también se pueden hornear sin esfuerzo pizzas, pan, pasteles y galletas. Debido a sus excelentes propiedades de retención de calor, se pueden alcanzar altas temperaturas y se puede mantener el control preciso del flujo de aire mediante los conductos de la parte superior e inferior. Las altas temperaturas son ideales para cocinar hamburguesas y salchichas de manera rápida, mientras que el calor bajo puede cocinar cortes más grandes por períodos más largos de tiempo. Intente agregar un poco de aserrín al carbón vegetal o intente combinar distintos tipos de sabores de aserrín para hacer que sus carnes tengan aún más sabor.

La clave está en experimentar con el tiempo que deja ahumar antes de que la comida termine de prepararse. Algunos chefs de exteriores prefiere ahumar al terminar de cocinar, lo que permite mantener la comida caliente hasta que está lista para servirse. ¡La práctica hace al maestro!

COMPRENSIÓN DEL FLUJO DE AIRE Y EL CONTROL DEL AMORTIGUADOR

El corazón de su parrilla radica en la relación entre los amortiguadores de ventilación superior e inferior. Al abrir los amortiguadores, lo que permite que circule más aire a través del sistema, permite que el carbón se caliente mucho y cree brasas de fuego. Para cocinar a temperaturas más bajas, mantenga los amortiguadores abiertos solo una pequeña distancia, permitiendo un flujo de aire mínimo y la máxima retención de calor en la cámara de cerámica.

Para garantizar que la parrilla funcione correctamente, es esencial realizar un mantenimiento y limpieza adecuados de la cámara de combustión. Si la parrilla no está alcanzando la temperatura deseada, verifique que haya un flujo de aire adecuado para el combustible y que ninguno de los amortiguadores esté bloqueado.

CONSEJO: La parrilla puede funcionar eficazmente durante largos períodos de tiempo, siempre y cuando no hay combustible seco y suficiente, el flujo de aire adecuado, y los componentes de cocción están limpias.

PRIMER USO - "QUEMADO" DEL ASADOR

Es importante curar la parrilla cerámica a carbón para su funcionamiento y cuidado a largo plazo. Evitar el proceso de curado podría ocasionar daños a la unidad. Si los primeros fuegos son demasiado calientes, podrían dañar el empaque de fieltro antes de que pueda madurar con el uso. Para iniciar su primer fuego:

1. Para iniciar su primer fuego, coloque un cubo encendedor o iniciador sólido y un puñado de carbón vegetal en trozos sobre la placa para carbón. Abra el conducto inferior y encienda el cubo encendedor usando un encendedor de cuello largo o fósforos de seguridad.

No use gasolina, aguarrás, líquido para encendedores, alcohol u otras sustancias químicas similares para encender o volver a encender.

2. Una vez que el carbón vegetal en trozos encienda, cure la unidad cerrando la tapa y dejando ambos conductos casi cerrados. Deje arder hasta que se consuma todo el combustible y se apague el fuego. Esto debería tardar unas dos horas. No sobrecargue de combustible la unidad.
3. Después del primer uso, inspeccione todos los tornillos. La banda de metal que conecta su tapa a la base se expandirá debido al calor y podría aflojarse. Se recomienda que la revise y, de ser necesario, apriete la banda con una llave inglesa.
4. Ahora puede usar su parrilla cerámica a carbón de manera normal.

PRECALENTAMIENTO

Es importante que permita que su asador se precaliente antes de cocinar. Esto permite que las parrillas se calienten más rápido, mata las bacterias y otros patógenos remanentes de usos anteriores del asador, y el asador puede mantener su temperatura de cocción una vez que coloque su comida en el área de cocción. Precaliente con la tapa cerrada..

IMPORTANTE: La temperatura ambiente exterior, las condiciones climáticas y la calidad del combustible utilizado afectarán la temperatura de cocción. Observe el tiempo que lleva alcanzar la temperatura deseada, y ajuste el tiempo de cocción según sea necesario.

PROCEDIMIENTO DE ENCENDIDO

Al usar la parrilla cerámica a carbón, empuje las dos ruedas de bloqueo hacia abajo para impedir que la unidad se mueva mientras la use. Asegúrese de que la parrilla cerámica a carbón esté colocada en una superficie firme, plana, nivelada, resistente al calor y no inflamable, lejos de objetos inflamables. Coloque la parrilla cerámica a carbón con un espacio libre mínimo de 2 m / 78 pu por encima y al menos a 2 m / 78 pu de cualquier otro artículo.

1. Para encender, coloque papel periódico enrollado y algunos cubos encendedores o pastillas de encendido sólidas sobre la bandeja para el carbón vegetal, en la base de la parrilla cerámica a carbón. Luego, coloque dos o tres puñados de carbón vegetal en pedazos encima del papel periódico.

No use gasolina, aguarrás, líquido para encendedores, alcohol u otras sustancias químicas similares para encender o volver a encender.

2. Abra el conducto inferior y encienda el papel periódico usando un encendedor de pico largo o fósforos de seguridad. Una vez que agarre fuego, deje el conducto inferior y la tapa abierta por alrededor de 10 minutos para formar una pequeña base de brasas calientes.
3. Permita que el carbón vegetal se caliente y manténgalo al rojo vivo por al menos 30 minutos antes de cocinar por primera vez en la parrilla cerámica a carbón. No cocine antes de que el combustible tenga una capa de cenizas..

Se recomienda que no avive o voltee los carbones una vez que están encendidos. Esto permite que el carbón vegetal se caliente de manera más uniforme y eficiente.

4. Una vez encendida, use solo guantes resistentes al calor al manipular cerámicas calientes o superficies de cocción.

PROCEDIMIENTO PARA AGREGAR COMBUSTIBLE

Con el conducto inferior y el superior cerrados, la parrilla cerámica a carbón permanecerá a altas temperaturas por varias horas. Si necesita un tiempo de cocción más largo (por ejemplo al rostizar un corte entero o al ahumar de manera lenta), podría ser necesario agregar más carbón vegetal.

1. Abra la tapa y quite las rejillas de cocción y deflector de calor usando guantes resistentes al calor o una espátula.
2. Agregue carbón adicional a la caja de fuego
3. Reemplace el deflector de calor y las parrillas de cocción y continúe cocinando normalmente.

IMPORTANT: No use gasolina, aguarrás, líquido para encendedores, alcohol u otras sustancias químicas similares para encender o volver a encender. Además, no intente agregar más iniciador de fuego en un incendio que ya está ardiendo o en una parrilla caliente. Esto puede causar lesiones.

APAGAR SU ASADOR

1. Cuando termine de cocinar y apague la unidad, deje de agregar combustible. Cierre todos los orificios de ventilación y la tapa para permitir que el fuego muera naturalmente por falta de oxígeno.

¡Atención! No use agua u otro tipo de productos de limpieza para limpiar el interior de su la parrilla cerámica a carbón.

CUIDADO Y MANTENIMIENTO

Todos los asadores en cerámicas Louisiana Grills® le darán muchos años de delicioso servicio con un mínimo de limpieza. Un paso importante es permitir que el asador y las parrillas de cocción se "autolimpíen" operando el asador en temperatura alta después de cada uso. Siga estas indicaciones de mantenimiento y limpieza para dar servicio a su asador:

1. SUPERFICIES INTERIORES

- Es recomendable limpiar su cámara de combustión después de varios usos. Esto garantizará un encendido adecuado y evitará la acumulación de desechos o ceniza endurecidos en los componentes de cocina. Caliéntela a 260°C / 500°F por 30 minutos y se despegarán todas las quemaduras de comida y restos.

¡ATENCIÓN! No use agua u otro tipo de productos de limpieza para limpiar el interior de su la parrilla cerámica a carbón. Las paredes son porosas y absorberán cualquier fluido que use, lo que podría causar grietas en su la parrilla cerámica a carbón.

- Usando un cepillo para limpieza de parrillas, elimine toda la comida y acumulación de residuos de las parrillas de cocción. Es mejor hacerlo mientras siguen calientes de una cocción anterior. Los fuegos de grasa son causados por la caída de demasiados desechos en los componentes de cocción del asador. Limpie el interior de su asador con regularidad. En caso de que experimente un fuego de grasa, mantenga la tapa del asador cerrada para sofocar el fuego. Si el fuego no se apaga con rapidez, quite cuidadosamente la comida, apague el asador y cierre la tapa hasta que el fuego se apague por completo. Espolvoree una pequeña cantidad de bicarbonato de sodio, si tiene disponible.
- La placa de carbón cromado no es apta para lavavajillas; use un detergente suave con agua tibia.
- Después de que la unidad se haya enfriado por completo, use la herramienta de cenizas para raspar los restos de carbón a través de la ventilación inferior del amortiguador. Abra con cuidado la placa de deslizamiento y rastrille la ceniza en un pequeño recipiente de residuos debajo de la abertura de ventilación. Deseche el contenedor o almacene para uso futuro.

2. SUPERFICIES EXTERIORES

- Luego de una inspección cercana, el acabado de su la parrilla cerámica a carbón podría parecer tener grietas. Estas no son grietas de la cerámica. Esto se conoce como microfisuras y se debe a los diferentes grados de expansión entre el acabado esmaltado y la arcilla. El patrón de telaraña de microfisuras es diferente al de una rotura en el sentido en que no se puede sentir en la superficie al menos que se use las uñas; sin embargo se hace más aparente de manera visible cuando la superficie tiene polvo o se mira con lupa.
- Limpie su asador después de cada uso. Use agua jabonosa tibia para cortar la grasa. No utilice limpiador para hornos, limpiadores abrasivos ni fibras abrasivas en las superficies externas del asador.
- Controle y apriete los anillos metálicos del cuerpo cerámico y la tapa, y engrase las bisagras, dos veces al año o más si es necesario. No debería poder girar fácilmente una llave hexagonal mientras mantiene la tuerca en su lugar.
- ¡Use una cubierta de asador para darle una mayor protección a su asador! Una cubierta es la mejor protección contra el clima y los contaminantes externos. Cuando no lo use, o para almacenarlo por períodos prolongados, mantenga el asador bajo una cubierta en una cochera o cobertizo.

TABLA DE FRECUENCIA DE LIMPIEZA (USO NORMAL)

ARTÍCULO	FRECUENCIA DE LIMPIEZA	MÉTODO DE LIMPIEZA
Parte inferior de firebox	Cada 5-6 usos	Pala, ceniza de vacío y escombros
Rejillas de cocina	Después de cada uso	Quemar el exceso, cepillo de limpieza de la parrilla
Bisagra de la tapa	Dos veces al año	Componentes de la bisagra de aceite
Anillos de metal	Dos veces al año	Apretar usando la llave hexagonal
Placa de carbón	Cada 5-6 usos	Agua tibia y detergente suave
Cuerpo de cerámica interior	Cada 2-3 usos	Calentar a 260°C / 500°F durante 30 minutos
Cuerpo de cerámica exterior	Después de cada uso	Agua jabonosa

LINEAMIENTOS PARA COCINAR

Ahumar y asar pueden dar diferentes resultados dependiendo del tiempo y la temperatura. Para obtener los mejores resultados lleve un registro de lo que cocinó, a qué temperatura, por cuánto tiempo, y los resultados. Ajuste a su gusto la próxima vez. La práctica hace al maestro.

El arte culinario del ahumado caliente significa un tiempo de cocción más largo, pero le da a sus carnes un sabor más natural (y un muy codiciado "anillo rosado"). Las temperaturas de cocción más altas resultan en tiempos de cocción más cortos y menos sabor ahumado.

CONSEJO: Para obtener los mejores resultados, deje que las carnes reposen después de cocinarlas. Esto permite que los jugos naturales regresen al interior de la carne, con lo que tendrá un corte mucho más jugoso y sabroso. Los tiempos de reposo pueden ser de 3 minutos hasta 60 minutos, dependiendo del tamaño de la proteína.

ESTILO DE COCINA	AHUMADO CALIENTE (MUY BAJO)	COCIDO (BAJO)	HORNEADO (MEDIO)	ASADO/HORNEADO (MEDIO/ALTO)	MARCADO (ALTO)
Rango de temperaturas	93-135°C / 199-275°F	135-162°C / 275-323°F	162-190°C / 323-374°F	190-232°C / 374-449°F	260-330°C / 500-625°F
Ventilador superior OPEN ● CLOSED ○					
Ventilación inferior OPEN ● CLOSED ○					

AVES	TAMAÑO	Un cuarto - 54°C / 130°F	Medio - 60°C / 140°F	Bien cocido - 77°C / 170°F
Pavo (entero)	4.5-5.0 kg / 10-11 lbs. 5.3-6.4 kg / 12-14 lbs. 6.8-7.7 kg / 15-17 lbs. 8.2-10.0 kg / 18-22 lbs. 10.4-11.3 kg / 23-25 lbs.			Asar de 90 a 120 minutos Asar de 110 a 140 minutos Asar de 130 a 160 minutos Asar de 140 a 170 minutos Asar de 150 a 180 minutos
Pollo (entero)	1.36-2.26 kg / 3-5 lbs.			Asar de 1 a 1.5 horas
Muslos, pechugas	0.45 - 0.86 kg / 1 - 1½ lbs.			Asar de 30 a 60 minutos
Aves de caza pequeñas	0.45 - 0.86 kg / 1 - 1½ lbs.			Asar de 30 a 45 minutos
Pato	1.36-2.26 kg / 3-5 lbs.			Asar o cocer de 2 a 2.5 horas

CERDO	TAMAÑO	Precocido para recalentar 60°C / 140°F	Medio 66°C / 150°F	Bien cocido 71°C / 160°F
Jamón (Porción bien cocida y sin hueso, ahumado para picnic entero y con hueso)	2.5 cm / 1 pulg. 1.36-1.81 kg / 3-4 lbs. 1.81-2.72 kg / 4-6 lbs. 2.26-3.62 kg / 5-8 lbs. 4.53-5.44 kg / 10-12 lbs.	12 minutos 50 minutos a 1 hora 1 a 2 horas 1 a 2½ horas 2 a 2¾ horas		
Asado de lomo	1.36-1.81 kg / 3 - 4 lbs.		1 a 2 horas	2 a 3 horas
Corona de costillas asada	1.81-2.26 kg / 4 - 5 lbs.		1½ a 2 horas	2 a 3 horas
Chuleta (lomo, costillas)	1.9-2.5 cm / ¾ - 1 pulg. 3.1-3.9 cm / 1¼ - 1½ pulg.		10 a 12 minutos 14 a 18 minutos	
Lomo	1.9-2.5 cm / ¾ - 1 pulg.		20 a 30 minutos	30 a 45 minutos
Asado de lomo, sin huesos	1.36-2.26 kg / 3-5 lbs.		1¼ a 1¾ horas	1¾ a 2½ horas
Boston Butt (hombro de puerco)	3.62-4.53 kg / 8-10 lbs.			93 - 98°C / 200 - 210°F Temperatura interior

RES	TAMAÑO	CALOR	TIEMPO APROXIMADO DE COCCIÓN		
			Un cuarto 54°C / 130°F	Medio 60°C / 140°F	Bien cocido 65°C / 150°F
Bistec (<i>New York, Porterhouse, Rib-eye, Sirloin, T-bone o lomo</i>)	1.9 cm / ¾ pulg. 2.5 cm / 1 pulg. 3.8 cm / 1½ pulg. 5 cm / 2 pulg.	Alto	Marcar 8 a 10 minutos Marcar 10 a 12 minutos Marcar 10 minutos, asar 8 a 10 minutos Marcar 10 minutos, asar 10 a 14 minutos		
Falda de res	0.6 - 12.7 cm / ¼ - ½ pulg.	Alto	5 a 7 minutos		
Arrachera	0.45 - 0.86 kg / 1 - 1½ lbs., 1.9 cm / ¾ pulg.	Medio	Marcar 4 minutos, asar 8 a 10 minutos		
Kebab	Cubos de 2.5 - 3.8 cm / 1 - 1½ pulg.	Medio	Asar 10 a 12 minutos		
Tenderloin, entero	1.58 - 1.81 kg / 3½ - 4 lbs.	Alto/Medio	1 ½ a 2 horas		
Hamburguesa	1.9 cm / ¾ pulg.	Alto/Medio	Marcar 4 minutos, asar 4 a 6 minutos		
Asado de rib-eye, sin huesos	2.26 - 2.72 kg / 5 - 6 lbs.	Medio	1 ½ a 2 horas		
Asado de tri-tip	0.9 - 1.13 kg / 2 - 2½ lbs.	Alto/Medio	Marcar 10 minutos, asar 20 a 30 minutos		
Asado de costilla	5.44 - 6.35 kg / 12 - 14 lbs.	Medio	2 ½ a 2 ¾ horas		
Chuleta de ternera	2.5cm / 1 pulg.	Medio	10 a 12 minutos		
Brisket	7.25 - 3.62 kg / 16 -18 lbs.	Ahumado caliente	Asar hasta que la temperatura interna llegue a 91°C / 195°F		

CORDERO	TAMAÑO	Un cuarto - 54°C / 130°F	Medio - 60°C / 140°F	Bien cocido - 71°C / 160°F
Asado (fresco)	2.26 - 2.72 kg / 5 - 6 lbs.		1 a 2 horas	
Corona de costillas asada	1.36-2.26 kg / 3-5 lbs.		1 a 1½ horas	1½ horas

MARISCOS	TAMAÑO	Un cuarto - 54°C / 130°F	Medio - 60°C / 140°F	Bien cocido - 82°C / 180°F
Pescado (entero)	0.5 kg / 1 lb. 0.9 - 1.1 kg / 2 - 2½ lbs. 1.4 kg / 3 lbs.			Asar 10 a 20 minutos Asar 20 a 30 minutos Asar 30 a 45 minutos
Pescado (filetes)	0.6-1.3 cm / ¼ - ½ pulg.			Asar 3 a 5 minutos, hasta que se desmenuce con facilidad
Cola de langosta	0.15 kg / 5 oz. 0.3 kg / 10 oz.			Asar 5 a 6 minutos Asar 10 a 12 minutos

CAZA	TAMAÑO	Un cuarto - 60°C / 140°F	Medio - 71°C / 160°F	Bien cocido - 77°C / 170°F
Asado (fresco)	2.26 - 2.72 kg / 5 - 6 lbs.		1 a 1½ horas	1½ a 2 horas
Cortes grandes (fresco)	3.62-4.53 kg / 8-10 lbs.		1 horas	1½ horas

CONSEJOS Y TÉCNICAS

Siga estos útiles consejos y técnicas, transmitidos por los dueños de Louisiana Grills®, nuestro personal y nuestros clientes, como usted, para familiarizarse con su asador:

1. SEGURIDAD DE LOS ALIMENTOS

- Mantenga limpio todo lo que haya en la cocina y en el área para cocinar. Use platos y utensilios diferentes para la carne cocida que los que utilizó para preparar o transportar la carne cruda al asador. Esto evitará la contaminación cruzada por bacterias. Cada marinada o salsa para untar debe tener su propio utensilio.
- Mantenga las comidas calientes calientes (a más de 60 °C / 140 °F), y mantenga las comidas frías frías (a menos de 3 °C / 37°F).
- Nunca debe guardar una marinada para usarla en el futuro. Si la va a servir con la carne, asegúrese de hervirla antes de servir.
- Los alimentos cocidos no deben dejarse en un entorno caliente por más de una hora. No deje alimentos calientes fuera del refrigerador por más de dos horas.
- Descongele y marine las carnes en refrigeración. No descongele la carne a temperatura ambiente ni sobre un mostrador. Las bacterias pueden crecer y multiplicarse con rapidez en comidas calientes y húmedas. Lávese las manos cuidadosamente con agua tibia y jabón antes de iniciar la preparación de los alimentos y después de manejar carne fresca, pescado y aves.

2. PREPARACIÓN PARA COCINAR

- Esté preparado o **Mise en Place**. Esto se refiere a estar preparado con la receta, el combustible, los accesorios, los utensilios y todos los ingredientes que necesita junto al asador antes de empezar a cocinar. Además, lea toda la receta, de principio a fin, antes de encender el asador.
- Un tapete para asador es muy útil. Debido a los accidentes al manejar la comida y las salpicaduras al cocinar, un tapete protege su terraza, patio o piso de piedra del riesgo de manchas de grasa o derrames accidentales.

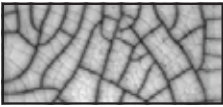
3. CONSEJOS Y TÉCNICAS PARA COCINAR

- Para infundir más sabor ahumado a sus carnes, cocínelas por más tiempo y a temperaturas más bajas (esto también se conoce como "**bajo y lento**"). La carne cerrará sus fibras cuando alcance una temperatura interna de 49 °C / 120 °F. Aplicar líquidos en aerosol o con un pequeño "trapeador" son excelentes maneras de evitar que la carne se seque.
- Al marcar sus carnes, cocine con la tapa cerrada. Siempre use un termómetro de carne para determinar la temperatura interna de los alimentos que está cocinando. Ahumar la comida dura le da un tono rosado a la carne y las aves. La banda rosada (después de cocinar), conocida como "**anillo de humo**", es muy apreciada por los chefs de asador.
- Es mejor aplicar las salsas con base de azúcar cerca del final de la cocción, para evitar que se quemen o provoquen llamaradas.
- Deje un espacio de separación entre la comida y los extremos del barril para que el calor fluya apropiadamente. Los alimentos en una parrilla muy llena necesitarán más tiempo de cocción.
- Use un juego de tenazas de mango largo para voltear las carnes, y una espátula para voltear hamburguesas y pescados. Si usa un utensilio puntiagudo, como un trinche, perforará la carne y permitirá que se escapen los jugos.
- Las comidas en platos hondos necesitarán más tiempo de cocción que en una charola plana.
- Es una buena idea colocar los alimentos preparados en un hornillo para mantenerlos calientes. Las carnes rojas, como los bistecs y asados, saben mejor cuando reposan varios minutos antes de servirlos. Esto permite que los jugos que el calor sacó a la superficie regresen al centro de la carne, dándole más sabor.

SOLUCIÓN DE PROBLEMAS

La limpieza apropiada, el mantenimiento y el uso de combustible de calidad, limpio y seco, evitarán problemas comunes en la operación. Cuando su asador Louisiana Grills® no funcione bien, o con menos frecuencia, los siguientes consejos para solucionar problemas podrían serle de utilidad. Para ver las preguntas frecuentes, visite www.louisiana-grills.com y haga clic en SUPPORT (Soporte). También puede comunicarse con el distribuidor autorizado de Louisiana Grills® en su localidad o llamar a Servicio al cliente para recibir ayuda.

ADVERTENCIA: asegúrese de que la parrilla esté completamente fría antes de cualquier inspección, limpieza, mantenimiento o trabajo de servicio. El incumplimiento puede ocasionar lesiones graves o daños a su unidad.

PROBLEMA	CAUSA	SOLUCIÓN
La parrilla no se encenderá	Los respiraderos del ventilador están cerrados, falta de aire	Asegúrese de que tanto la ventilación superior como la inferior estén abiertas. El fuego necesita oxígeno para atrapar. Una vez que se haya cogido, deje la ventilación inferior y la tapa abiertas durante unos 10 minutos para construir una pequeña cama de brasas calientes.
	Combustible incorrecto usado	Esta parrilla requiere el uso de carbón a granel. Siga el procedimiento de encendido para continuar el uso de la parrilla; sin embargo, llame a Servicio al Cliente para obtener asistencia si es necesario.
La parrilla no logrará ni mantendrá una temperatura estable	Grill se pone muy caliente	Cierre la tapa, en su mayoría cierre ambas salidas de ventilación y permita que la parrilla se sofoque con falta de oxígeno. Para cocinar a baja temperatura, use menos combustible.
	La parrilla no se pone lo suficientemente caliente	Verifique el nivel de combustible. La parrilla puede perder fuego rápidamente si no hay suficiente carbón en el cuerpo de cerámica. El uso recomendado de carbón a granel es un máximo de 1.81kg / 4lbs por quemadura. Agregue más combustible y deje ambos respiraderos completamente abiertos. Más flujo de oxígeno permitirá que el fuego aumente, quemando más carbón.
	Insuficiente flujo de aire a través del cuerpo de cerámica	Verifique el conducto inferior de la compuerta para ver si hay acumulación de cenizas u obstrucciones. Siga las instrucciones de cuidado y mantenimiento para la acumulación de cenizas. Verifique la ventilación superior del regulador y asegúrese de que esté funcionando correctamente y que el flujo de aire no esté bloqueado. Siga las instrucciones de cuidado y mantenimiento si está sucio. Una vez que se hayan realizado todos los pasos anteriores, encienda la parrilla y realice una quemadura.
Llamaradas frecuentes	Temperatura de cocción demasiado alta	Intente cocinar a una temperatura más baja. La grasa tiene un punto de inflamación. Mantenga la temperatura por debajo de 176 ° C / 350 ° F cuando cocine alimentos altamente grasosos.
	Acumulación de grasa en los componentes de cocción	Siga las instrucciones de Cuidado y mantenimiento .
	Necesidad de eructar la parrilla	Para evitar cualquier contragolpe o brotes que puedan causar lesiones, se recomienda levantar la tapa solo ligeramente (también conocido como eructos), lo que permite que el aire ingrese lenta y seguramente.
El amortiguador inferior no se deslizará	Damper pegado a la ceniza	Golpee levemente el amortiguador con un martillo de goma para aflojarlo. Siga las instrucciones de cuidado y mantenimiento . Si no mejora, llame a Servicio al Cliente.
Acabado glaseado en la unidad	El final está astillado	El acabado de su unidad puede dañar la cerámica, pero esto no afecta el rendimiento o la vida útil de su unidad. Si el astillado es sustancial, llame a Servicio al Cliente.
	Patrón de arañazo de la telaraña 	Esto no es craqueo de la cerámica. Esto se conoce como agrietamiento y es causado por las diferentes tasas de expansión entre el acabado de esmalte y la arcilla. El patrón de grietas en la tela de araña es diferente de una ruptura en el aspecto que no se puede sentir en la superficie, a menos que se use una uña; sin embargo, se vuelve más visualmente evidente cuando la superficie está polvorienta o magnificada. Siga las instrucciones de cuidado y mantenimiento . Si bien estas grietas pueden aparecer como imperfecciones, el agrietamiento no afecta el rendimiento o la vida útil de su parrilla cerámica a carbón vegetal; por lo tanto, no es un problema de garantía.
La tapa está atascada	Unidad no curada correctamente	Es importante curar la parrilla cerámica a carbón para su funcionamiento y cuidado a largo plazo. Si los primeros fuegos son demasiado calientes, podrían dañar el empaque de fieltro antes de que pueda madurar con el uso. Si la tapa se atora o se pega a la base, utilice un cuchillo para separarla cuidadosamente y corte el empaque de fieltro que bordea la tapa. Una vez retirado, podrá abrir la tapa. Antes de seguir usando la unidad, reemplace el empaque de fieltro para altas temperaturas, que puede adquirir en su tienda local de chimeneas.

GARANTÍA

CONDICIONES

La serie cerámica por Louisiana Grills®, fabricada por Dansons, tiene una garantía limitada de por vida desde la fecha de venta solo para el comprador original. La cobertura de la garantía comienza en la fecha original de compra y es necesario un comprobante de la fecha de la compra o una copia de la factura original de compra para validar la garantía. Los clientes deberán cubrir el costo de las refacciones, manejo y envío si no pueden proporcionar un comprobante de compra o si la garantía ha expirado.

Dansons tiene una garantía limitada de por vida para todas las partes de cerámica usadas para fabricar la parrilla cerámica a carbón. Dansons garantiza que todas las partes están libres de defectos materiales y de mano de obra, para el período de uso y propiedad del comprador original. La garantía no cubre daños de deterioros por uso, tales como rasguños rasguños, abolladuras, muescas o fisuras menores superficiales. Estos cambios estéticos en la parrilla no afectan su rendimiento. Luego de una inspección cercana, el acabado de su la parrilla cerámica a carbón podría parecer tener grietas. Estas no son grietas de la cerámica. Esto se conoce como microfisuras y se debe a los diferentes grados de expansión entre el acabado esmaltado y la arcilla. El patrón de telaraña de microfisuras es diferente al de una rotura en el sentido en que no se puede sentir en la superficie al menos que se use las uñas; sin embargo se hace más aparente de manera visible cuando la superficie tiene polvo o se mira con lupa. A pesar de que puedan parecer imperfecciones, las microfisuras no afectan el rendimiento o vida útil de su la parrilla cerámica a carbón; por lo tanto, no es un problema de garantía. Durante el período de la garantía limitada, la obligación de Dansons se debe limitar solo a suministrar un reemplazo para componentes defectuosos que estén cubiertos, franco a bordo (Free On Board, FOB) origen de envío.

Dansons tiene una garantía de cinco años para todas las piezas de metal y hierro fundido que se utilizan para fabricar la parrilla cerámica a carbón vegetal. Dansons garantiza que todas las partes están libres de defectos materiales y de mano de obra, para el período de uso y propiedad del comprador original. Las temperaturas altas, la humedad excesiva, el cloro, los humos industriales, los fertilizantes, los pesticidas de jardín y la sal son algunas de las sustancias que pueden afectar los recubrimientos del metal. Por estas razones, la garantía **no cubre corrosión ni oxidación**, a menos que exista una pérdida de integridad estructural en el componente del asador. Dansons recomienda el uso de una cubierta para el asador cuando este no esté en uso. Incluso con estas precauciones, diferentes sustancias y condiciones fuera del control de Dansons pueden afectar los recubrimientos protectores.

Dansons tiene una garantía de un año para todos los componentes de plástico y compuestos, termómetros y rueditas utilizados para fabricar la parrilla cerámica a carbón vegetal. La garantía no cubre los cambios cosméticos o de color, la intemperie o las grietas, a menos que haya una pérdida de integridad estructural. La garantía no cubre daños por desgaste normal, tales como rasguños, abolladuras, muescas o fisuras menores superficiales. Estos cambios estéticos en la parrilla no afectan su rendimiento. La reparación o reemplazo de cualquier pieza no extiende el período de garantía limitada. Durante el período de la garantía, la obligación de Dansons se limitará solo a suministrar un reemplazo para componentes defectuosos y/o que presenten fallas. Durante el período de garantía, Dansons no cobrará por reparaciones o reemplazos de partes devueltas, con envío prepagado, si considera que las partes son defectuosas luego de haberlas examinado. Dansons no será responsable de costos de transporte, mano de obra o derechos de exportación. Salvo por lo establecido en estas condiciones de la garantía, la reparación o reemplazo de partes, de la manera y durante el período de tiempo aquí mencionados, constituye el cumplimiento de todas las responsabilidades y obligaciones, directas y derivadas, de Dansons hacia usted.

La garantía se basa en el uso y servicio doméstico normal del asador, y ninguna garantía limitada se aplica a un asador que se utilice en aplicaciones comerciales.

ANULACIÓN DE GARANTÍA

El uso o abuso de este producto con otros propósitos, aparte de aquellos para los que fue diseñado, anulará la garantía. No se cubren daños causados por el uso, ensamblaje, mantenimiento o instalación inadecuada. Verter líquido para encendedores en su parrilla anulará esta garantía. Esto podría resultar en daños o lesiones graves al usuario de la parrilla cerámico a carbón vegetal y resultar en un daño excesivo a la parrilla y su gran cantidad de partes y componentes. Esta garantía solo aplica si la parrilla cerámico a carbón vegetal se compra a través de un distribuidor autorizado. La compra de cualquier producto por parte de una tercera parte o distribuidor no autorizado anula la garantía. Solo los distribuidores y comerciantes exclusivos tienen permiso de Dansons para vender los productos de parrilla cerámico a carbón vegetal.

EXCEPCIONES (Garantía del fabricante válida sólo en E.U.A.)

No existe una garantía escrita o implícita de desempeño en las unidades Louisiana Grills®, ya que el fabricante no tiene control sobre la instalación, la operación, la limpieza, el mantenimiento o el tipo de combustible utilizado. Esta garantía no aplicará, y Dansons no asumirá ninguna responsabilidad, si su aparato no se instaló, operó, limpió o mantuvo en estricto cumplimiento con este manual del propietario. Quemar cualquier material distinto a carbón vegetal puede anular la garantía. La garantía no cubre daños ni fallas debidas al mal uso, manejo inapropiado o modificaciones.

Ni Dansons ni el distribuidor autorizado de Louisiana Grills® asumen responsabilidad alguna, jurídica o de otro tipo, por los daños accidentales o consecuentes a los bienes o las personas debido al uso de este producto. Si se realiza una demanda contra Dansons con base en una infracción de esta garantía o de cualquier otro tipo de garantía explícita o implícita por la ley, el fabricante de ninguna manera será responsable de cualquier daño especial, indirecto o consecuente, ni por otros daños de cualquier naturaleza, por encima del precio original de compra de este producto. Todas las garantías del fabricante se especifican en este documento y no se puede realizar ninguna demanda contra el fabricante por cualquier garantía o promesa.

Algunos estados no permiten la exclusión o limitación de daños incidentales o consecuentes, o limitaciones de garantías implícitas, así que las limitaciones o exclusiones especificadas en esta garantía limitada podrían no aplicar para usted. Esta garantía limitada le da derechos jurídicos específicos y usted podría tener otros derechos, los cuales varían de estado a estado.

Nuestros productos vienen con garantías que no se pueden excluir bajo la Ley del consumidor de Australia. Ustedes están autorizados para reemplazarlos u otorgar una devolución o reembolso en caso de falla mayor y en compensación por cualquier otra falla o daño previsible. También, están autorizados para hacer reparar los productos o reemplazarlos si éstos no cumplen con una calidad aceptable y si la falla no es motivo de una deficiencia mayor.

CÓMO ORDENAR REFACCIONES

Para ordenar refacciones, comuníquese con el distribuidor autorizado en su localidad, o visite nuestra tienda en línea en: www.louisiana-grills.com

CONTACTO CON SERVICIO AL CLIENTE

Si tiene preguntas o problemas, comuníquese con Servicio al Cliente de lunes a domingo.

service@louisiana-grills.com | EE.UU: (480) 923-9632 | Canada (Gratuita): 1-877-942-2246

SERVICIO BAJO GARANTÍA

Comuníquese con su distribuidor Louisiana Grills® más cercano para reparaciones o refacciones. Dansons requiere un comprobante de compra para otorgar una reclamación de garantía; por lo tanto, conserve su recibo o factura de venta original para referencia futura. Puede ver el número de serie y modelo de su unidad Louisiana Grills® en la bisagra de la tapa. Escriba los números a continuación, ya que la etiqueta podría desgastarse o quedar ilegible.

MODELO

NÚMERO DE SERIE

FECHA DE COMPRA

DISTRIBUIDOR AUTORIZADO

RECETAS

BISTECS PERFECTAMENTE ASADOS A LA PARRILLA

Para 2 a 4 porciones

Ingredientes:

- 2 bistecs de costilla (3 cm / 1¼ pu. de espesor)
condimento Louisiana Grills Chop House Steak Rub

Instrucciones:

1. Dejar que los bisteces alcancen una temperatura ambiente no una hora antes de grillarlos.
2. Espolvorear generosamente Louisiana Grills Chop House Steak Rub® sobre ambos lados de cada bistec, permitiendo que se fusione con la carne.
3. Encender la parrilla a 205°C / 400°F. Colocar los bisteces directamente sobre la parrilla. Asar cada lado durante 5 minutos a 7 minutos para obtener un bistec a punto medio, dando vuelta los bistecs solo una vez. Ajustar el tiempo según su punto de cocción deseado.
4. Retirar los bisteces de la parrilla, cubrirlos con papel de aluminio y dejar reposar 10 minutos antes de cortarlos y servirlos.

NOTA: Utilizar pinzas para voltear los bisteces. No voltear los bisteces con un tenedor ni corte la carne hasta que esté lista para servir. Cualquier corte o punción en la carne hará que se escapen los jugos y hará que la carne quede seca.

ALITAS DE POLLO AGRIDULCES A LA PARRILLA

Para 2 a 4 porciones

Ingredientes:

- 16 alitas de pollo enteras (510 g / 18 oz.)
75 ml / 5 C. jugo de lim
45 ml / 3 C. *condimento Louisiana Grills Sweet Heat Rub & Grill*

Instrucciones:

1. Enjuagar las alitas de pollo bajo el agua de grifo fría y secar con toallas de papel. Disponer las alitas longitudinalmente sobre una fuente para horno. Rociar jugo de lima sobre las alitas uniformemente.
2. Espolvorear el condimento Louisiana Grills Sweet Heat Rub & Grill sobre las alitas, girándolas para cubrir las uniformemente.
3. Encender su parrilla a 177°C / 350°F. Colocar el deflector de calor en la parrilla y colocar la parrilla sobre el deflector de calor superior.
4. Colocar las alitas directamente sobre la parrilla. Grillar sobre calor indirecto hasta que estén crujientes, alrededor de 20 a 25 minutos por lado.
5. Transferir las alitas y servir con su salsa favorita.

FAJITAS DE CARNE ARRACHERA A LA PARRILLA

Para 4 a 6 porciones

Ingredientes:

- 1 carne arrachera (450 g / 16 oz.)
30 ml / 2 C. *condimento Louisiana Grills Sweet Heat Rub & Grill*
45 ml / 3 C. aceite de oliva, divididas
1 pimiento rojo
en mitades, sin nervios
1 pimiento amarillo
en mitades, sin nervios
1 pimiento verde
en mitades, sin nervios
1 cebolla dulce
grande, cortada gruesa a lo largo de la base
8 tortillas de maíz

Adicionales:

- salsa
guacamole
crema ácida
queso cheddar, en hebras
lechuga, finamente cortada

Instrucciones:

1. Frotar la carne arrachera con 1 cda. de aceite de oliva y el condimento Louisiana Grills Sweet Heat Rub & Grill®. Cubrir y dejar marinar en el refrigerador durante 1 hora.
2. Pincelar ligeramente los pimientos y la cebolla con aceite de oliva.
3. Encender la parrilla a 205°C / 400°F. Colocar los pimientos y la cebolla sobre la parrilla y cocinar 5 minutos de cada lado. Controlar cuidadosamente que no se quemen los pimientos y la cebolla.
4. Retirar los pimientos y la cebolla de la parrilla y revolver ligeramente con el resto del aceite de oliva en un bol mediano. Transferir los pimientos y las cebollas a una tabla de picar y cortarlas en tiras. Reservar.
5. Colocar la carne arrachera directamente sobre la parrilla. Cocinar hasta término medio, alrededor de 4 minutos por lado, o hasta que la carne alcance una temperatura interna de 74°C / 165°F.
6. Retirar la carne arrachera de la parrilla y transferirla a la tabla de picar. Dejar reposar durante 5 minutos y cortar en tiras en contra de la fibra.
7. Colocar la carne arrachera, los pimientos y las cebollas en un plato y servir inmediatamente con tortillas tibias, salsa, guacamoles, crema ácida, queso en hebras, lechuga iceberg finamente cortada y su aderezo favorito para fajitas.

TACOS MAHI-MAHI ENNEGRECIDOS CON SALSA DE MANGO Y HABANERO MANDARÍN

Para 4 a 6 porciones

Ingredientes:

4	filetes mahi-mahi (170 g / 6 oz.)
30 ml / 2 C.	<i>condimento Louisiana Grills Mandarin Habanero</i>
30 ml / 2 C.	aceite de oliva
475 ml / 2 tz.	shredded red cabbage
235 ml / 1 tz.	crema ácida
12	tortillas de maíz pequeñas

Salsa de mango y mandarin habanero:

2	mangos, pelados y en cubos
15 ml / 1 C.	<i>condimento Louisiana Grills Mandarin Habanero</i>
30 ml / 2 C.	jugo de lima
80 ml / 1/3 tz.	cebolla colorada, en cubos
60 ml / 1/4 tz.	cilantro fresco, picado

Instrucciones:

1. Enjuagar los filetes mahi-mahi bajo el agua de grifo fría y secar con toallas de papel. Frotar los filetes con aceite de oliva, luego espolvorear el condimento Louisiana Grills Mandarin Habanero® sobre ambos lados de los filetes, frotando el condimento. Reservar.
2. Preparar la salsa de mango y mandarin habanero combinando todos los ingredientes en un bol mediano, agitando suavemente para mezclar. Reservar.
3. Encender la parrilla a 205°C / 400°F. Colocar los filetes mahi-mahi directamente sobre la parrilla y cocinar 5 a 7 minutos de cada lado.
4. Retirar los mahi-mahi de la parrilla y dejar descansar 5 minutos antes de separarlos en pequeños trozos.
5. Retirar la parrilla de cocción cuidadosamente de la parrilla utilizando guantes para horno o pinzas para asar. Reemplazar la parrilla de cocción con un deflector de calor y colocar las tortillas sobre el deflector de calor, dejándolas calentar durante 30 segundos a 1 minuto o hasta que estén tibias, no calientes.
6. Apilar las tortillas de a dos. Distribuir el pescado uniformemente entre cada set de tortillas. Colocar por encima la col colorada, la crema ácida y la salsa de mango.
7. Servir de inmediato.

KEBABS DE CERDO CON CHIPOTLE Y FRAMBUESAS

Para 4 a 8 porciones

Ingredientes:

450 g / 15.8 oz	lomo de cerdo sin hueso cortado en cubos (2.5 cm / 1 pulgada)
30 ml / 2 C.	<i>condimento Louisiana Grills Raspberry Chipotle</i>
15 ml / 1 C.	aceite de oliva
15 ml / 1 C.	miel
30 ml / 2 C.	vinagre de cidra de manzana
3	pimientos morrones una variedad de color, sin semillas y cortados en trozos (2.5 cm / 1 pu.)
1	cebolla colorada cortada en trozos
8	brochetas de madera o metal (30 cm / 12 pu.)

Instrucciones:

1. En un bol mediano, mezclar el vinagre de cidra de manzana, el condimento Louisiana Grills Raspberry Chipotle®, el aceite de oliva y la miel. Agregar el lomo de cerdo en cubos a la marinada y sacudir para cubrir. Cubrir con papel film y dejar marinar durante 30 minutos a 1 hora.
2. Una vez que la carne esté marinada, retirar de la marinada y colocar el lomo de cerdo en cubos en las brochetas, alternando con trozos de pimiento morrón y cebolla.
3. Encender la parrilla a 205°C / 400°F. Grillar los kebabs directamente sobre la parrilla, girándolos a menudo, hasta que todos los lados de la carne estén bien dorados y los vegetales tiernos (alrededor de 15 minutos).
4. Servir de inmediato.

NOTA: Si utiliza brochetas de madera, empapar en agua durante 30 minutos a 45 minutos antes de utilizar.

IMPORTANT

DO NOT RETURN PRODUCT TO STORE

For all questions, comments, or inquiries, please contact Danson's our Customer Care department.

USA: (480) 923-9632 | CANADA (TOLL FREE): 1-877-942-2246
service@louisiana-grills.com

IMPORTANT

NE RETOURNEZ PAS LE PRODUIT AU MAGASIN

Pour toutes questions, commentaires ou demandes de renseignements, veuillez communiquer avec le service à la clientèle de Danson's.


ÉTATS-UNIS : (480) 923-9632 | CANADA (SANS FRAIS) : 1-877-942-2246
service@louisiana-grills.com

¡IMPORTANTE!


NO DEVUELVA EL PRODUCTO A LA TIENDA

Para todas las preguntas, comentarios o consultas, comuníquese con el departamento de atención al cliente de Danson's.

EE.UU: (480) 923-9632 | CANADA (GRATUITA): 1-877-942-2246
service@louisiana-grills.com

 **WARNING:** Combustion of charcoal can expose you to chemicals including soot, which is known to the State of California to cause cancer, and carbon monoxide, which is known to the State of California to cause birth defects or other reproductive harm. For more information go to WWW.P65WARNINGS.CA.GOV

 **AVERTISSEMENT :** La combustion du charbon peut vous exposer à des produits chimiques incluant la suie, connue par l'État de Californie pour causer le cancer, et le monoxyde de carbone, connu par l'État de la Californie comme causant des anomalies congénitales ou autres effets nocifs sur la reproduction. Pour accéder à d'autres informations, rendez-vous à WWW.P65WARNINGS.CA.GOV

 **ADVERTENCIA:** La combustión del carbón puede exponerlo a sustancias químicas, incluyendo el hollín, que el Estado de California sabe que provocan cáncer, y al monóxido de carbono, que el Estado de California sabe que causa defectos congénitos y otros daños reproductivos. Para obtener más información, visite WWW.P65WARNINGS.CA.GOV



602210915UMV

ACCESSORIES NOT INCLUDED | ACCESSOIRES NON INCLUS | ACCESORIOS NO INCLUIDOS
MADE IN CHINA | FABRIQUÉ EN CHINE | HECHO EN CHINA

WWW.LOUISIANA-GRILLS.COM