

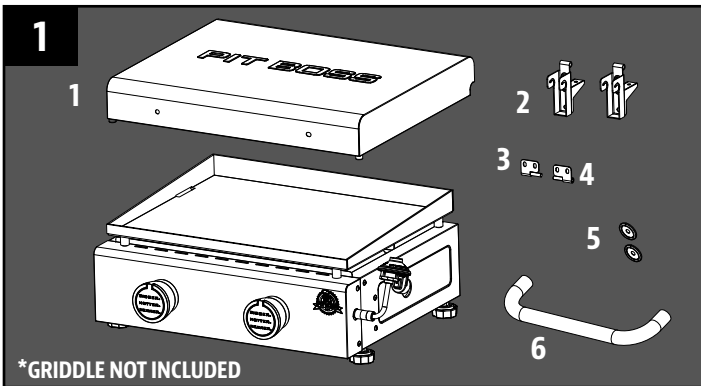
# INSTRUCTION GUIDE



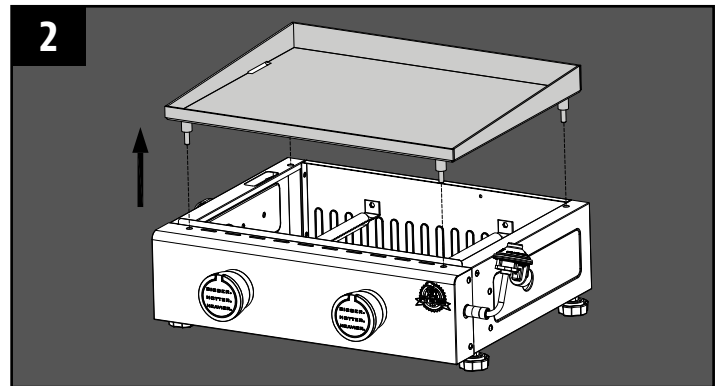
# PIT BOSS®

## PB2BGT1 GRIDDLE LID

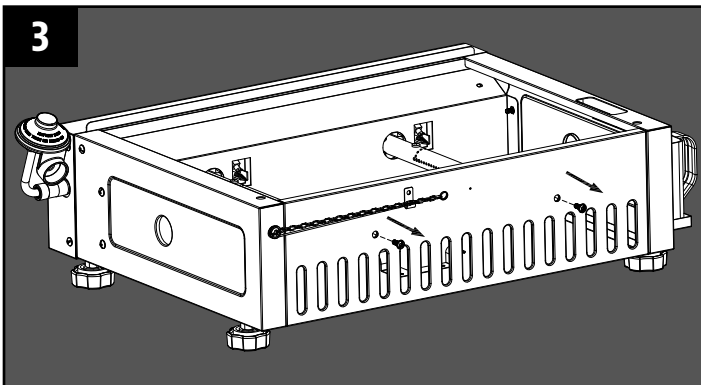
PART: 41052



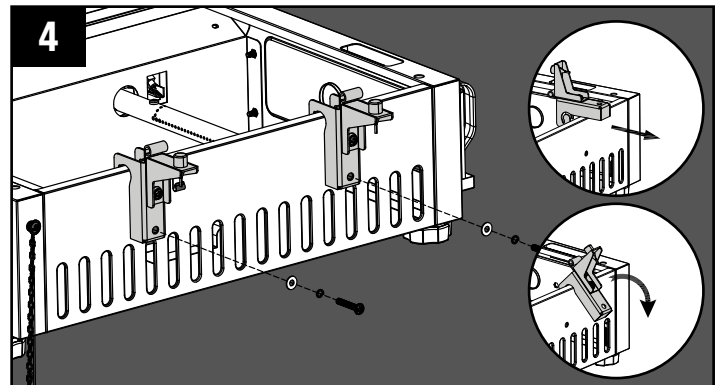
Included Parts: (1) Lid, (2) Hinges x2, (3) Left Top Hinge, (4) Right Top Hinge, (5) Lid Handle Bezel x2, (6) Lid Handle



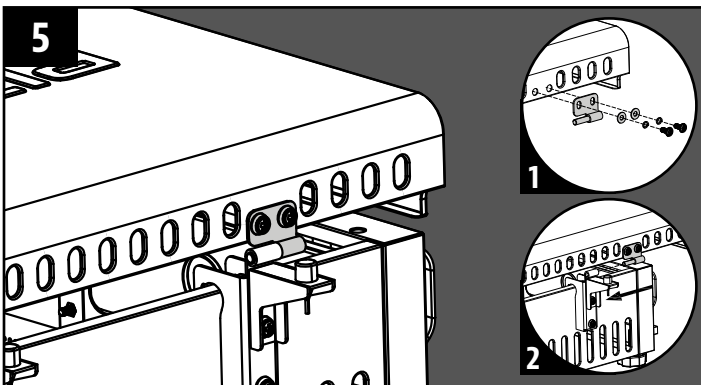
Remove the griddle cooking surface and place aside.



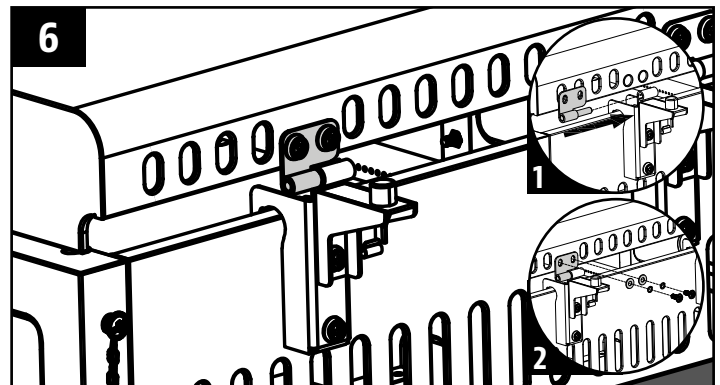
Remove the two screws from the back of the firebox that holds the burners in place.



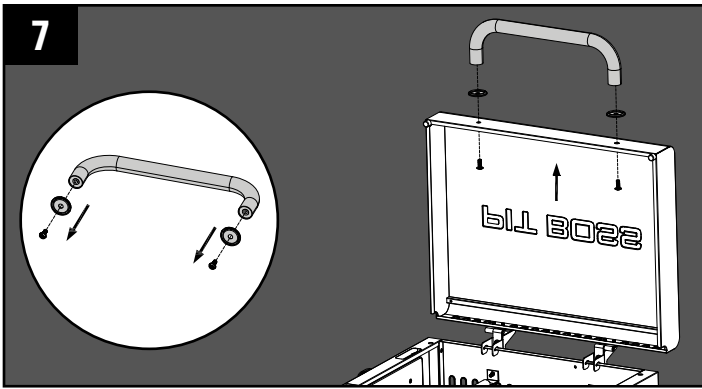
Place the hinge on the back edge of the firebox at a 90° angle and rotate down to line it up to the screw holes from the burners. Screw the hinges and burners in place with the screws, locking washers, and washers.



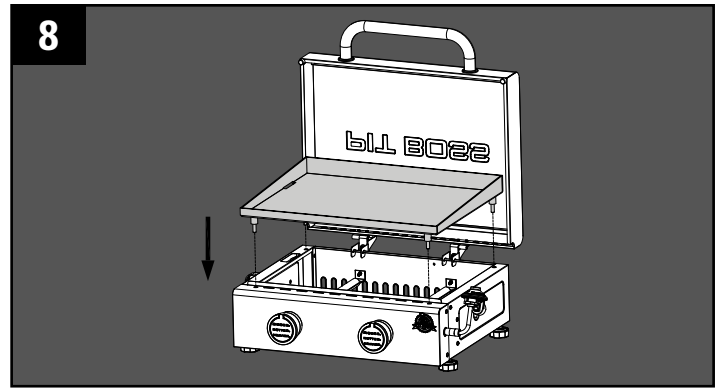
First, install the Left Top Hinge with the pre-installed screws, locking washers, and washers. Slide the hinge pin into the lower hinge on the firebox base.



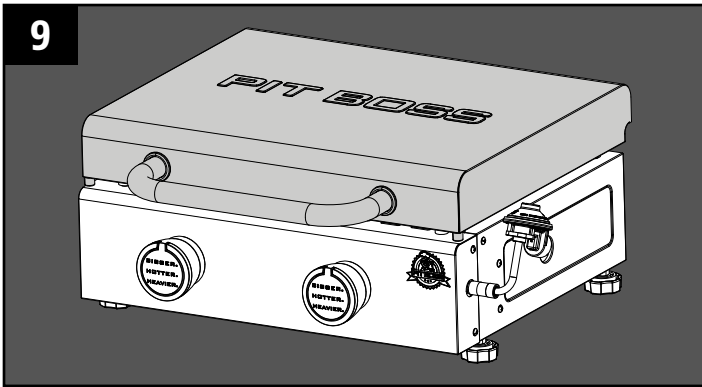
First, slide the Right Top Hinge pin into the lower hinge on the firebox base. Then secure the Right Top Hinge with the pre-installed screws, locking washers, and washers.



7  
Remove the pre-installed screws from the handle. Place the lid handle bezels between the handle and lid. Secure them into place with the screws.



8  
Place the griddle cooking surface on top of the firebox.



9  
The Griddle Lid is fully installed.